



# Full Color Panel

FilaSorb™ 24

acoufelt  
making quiet

## Product Detail

<b>Product</b>	Full Color
<b>Application</b>	Wall and ceiling
<b>Composition</b>	100% polyester
<b>Material</b>	FilaSorb™
<b>Recycled Content</b>	60% min
<b>Dimensions</b>	1200 x 2780mm Custom size available upon request
<b>Thickness</b>	24mm +/- 10%

## Guarantees

**Warranty against defects** 20 years\*  
**Light fastness warranty** 20 years\*

\*conditions apply



QuickShip available



## Technical Data

<b>Indoor Air Quality</b>	SCS-EC10.3-2014 v4.0 meeting standard CDPH/EHLB Standard Method v.1.2-2017, $\leq 0.5\text{mg}/\text{m}^3$
<b>Light Fastness</b>	ISO 105-B02, 6-7
<b>Fire Test Method</b>	AS/ISO 9705.1, Group 1 ASTM E84-17a, Class A EN 13501-1, B-s1,d0

## Sustainability

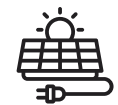
- Every square meter of FilaSorb™ diverts on average approximately 108 x 600ml PET drinking bottles from landfill
- LBC Red list free
- Phenol & formaldehyde free
- Total VOC's  $0.5 \text{ mg}/\text{m}^3$
- CDPH compliance
- Complies with building standards



Made from 60% min. recycled content



Declare Living Building Challenge compliant



Generated using 40% solar energy



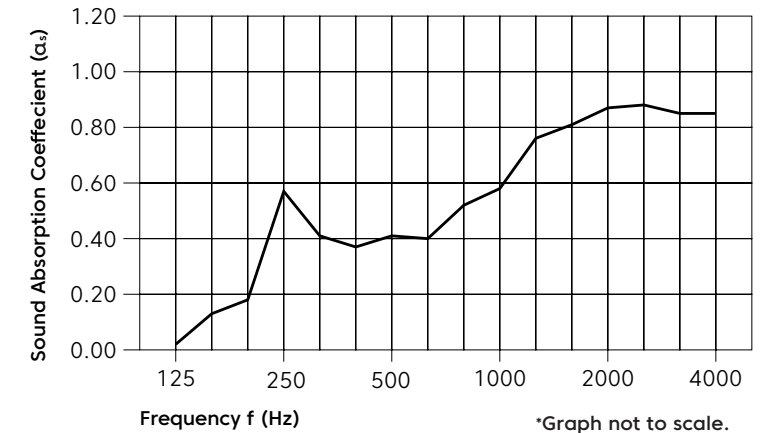
Recyclable at end-of-life



Declare.

## Acoustic Performance

**Sound Absorption** ASTM E795  
NRC 0.60 (no air gap)



Frequency (Hz)	125	250	500	1000	2000	4000	NRC
$\alpha_s$	0.02	0.57	0.41	0.58	0.87	0.85	<b>0.60</b>



# Colorways

---



Peppercorn



Lipstick Red



Carrot



Peach



Butter



Popcorn



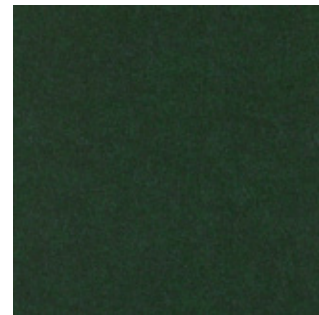
Pistachio



Thistle



Oregano



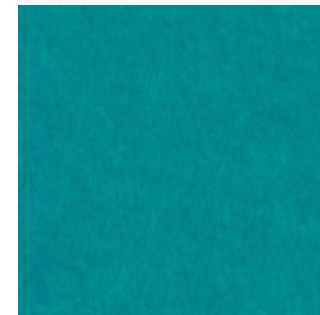
Kale



Wasabi



Denim



Peacock



Azur



Marine



Periwinkle



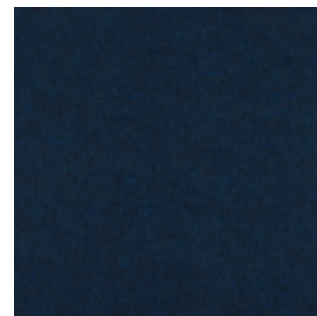
Lilac



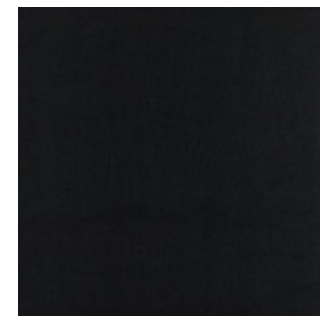
Iris



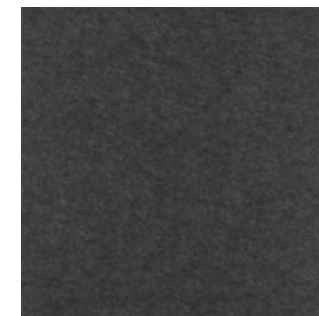
Berry



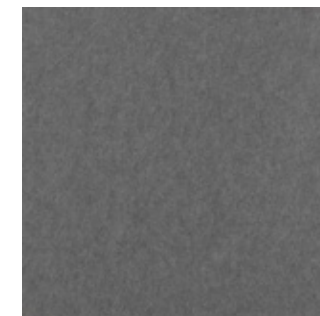
Midnight



Piano Black



Charcoal



Slate



Grey



Metal



Platinum



White



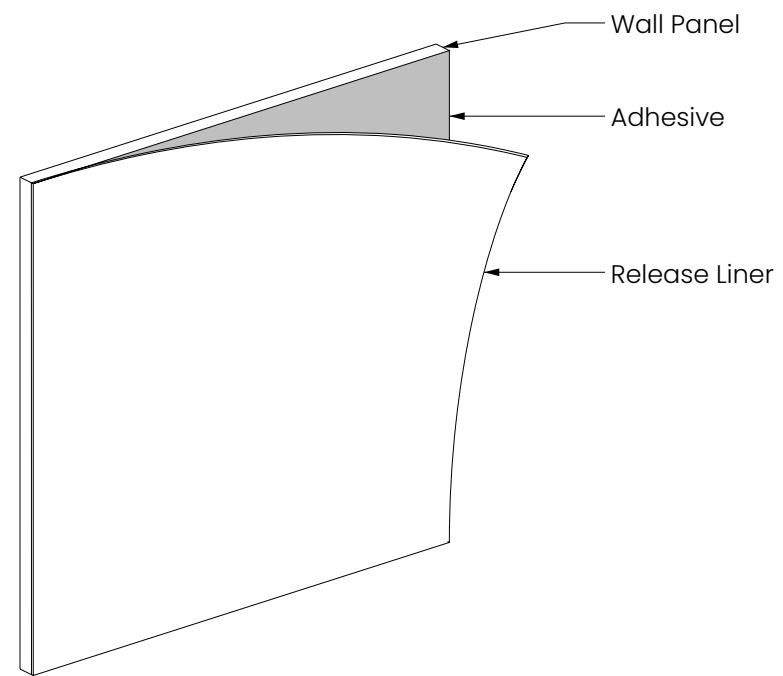
Ivory



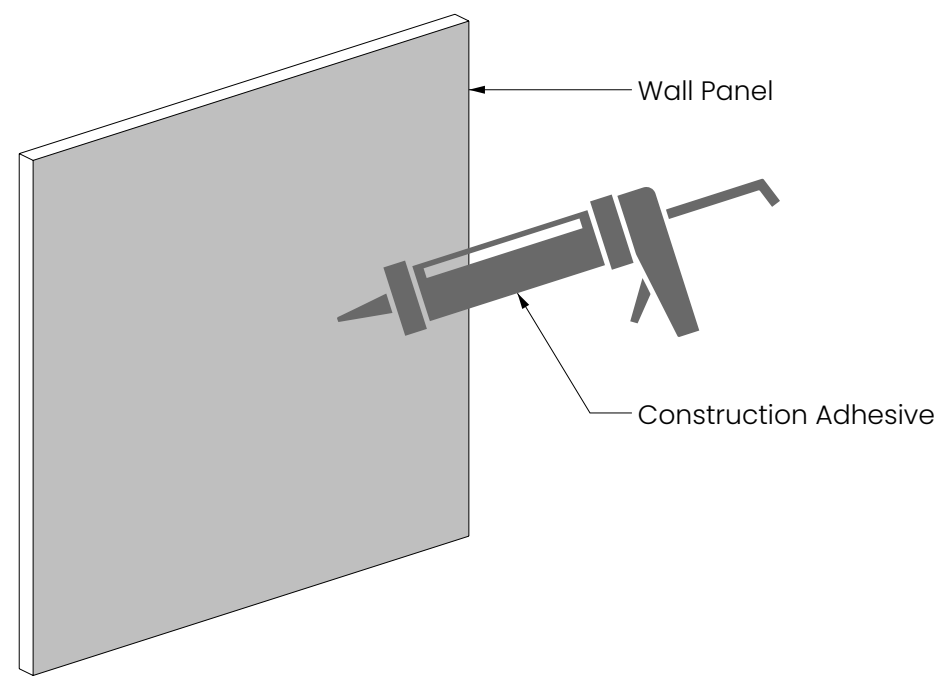
Pearl

# Mounting Methods

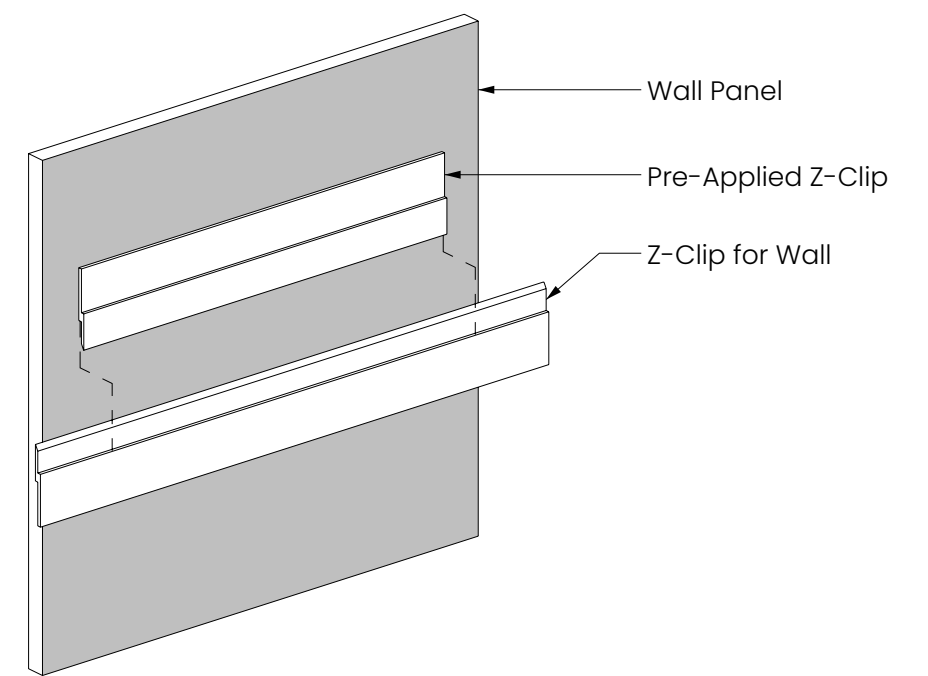
Adhesive Backing



Constructive Adhesive

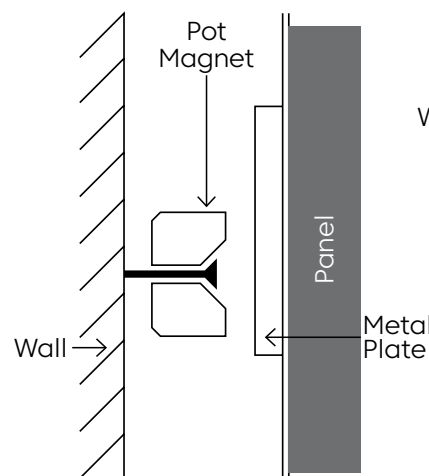


Z-Clip Mount

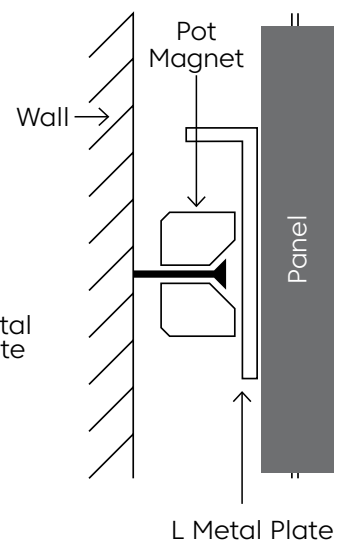


Pot Magnet Install

Wall Pot Magnet Install Metal Plate



Wall Pot Magnet Install L Plate + Metal Plate



L Plate Wall + Metal Plate Configuration

○ L Metal Plate × Metal Plate

