



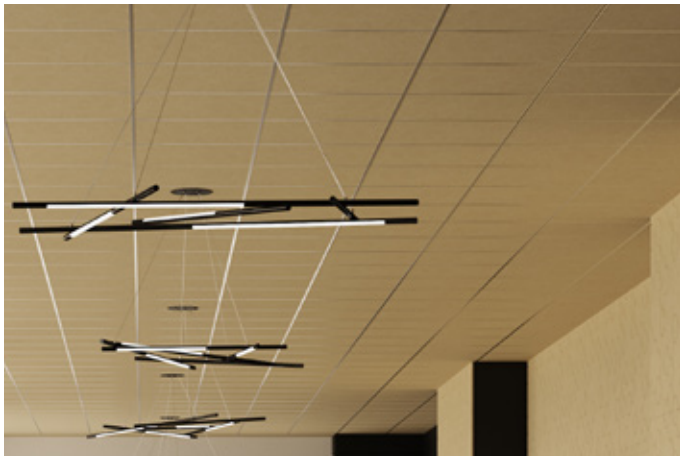
Cover, Staple Ceiling Panels

Premier Collection

Staple panels are simple in design but valuable in sound dampening in any space. Perfect for reducing noise levels in large areas as well as smaller spaces where privacy and focus are key. Available in two thickness and an array of solid colors, it's a perfect solution for spaces with a ceiling grid system.

Specifications

Surface	Ceiling
Material	FilaSorb™ polyester felt
Weight	2400gsm 4800gsm
Standard Sizes	595mm W x 595mm L 595mm W x 1195mm L



Cover, Staple Ceiling Panel in Pearl

Technical

NRC Rating	12mm* 0.45 24mm* 0.60
Fire Test	Test Results Pending
Water Sorption	ASTM C1104-2019 (A Modified) Water sorbed by weight: 0.20% (based on a 12mm thick panel)
Colorfastness	ISO 105-B02, 6-7

* Test results available upon request.

Details

Lead Time	Refer to Product Lead Time Matrix
Origin	Australia
Warranty	Product: 20 years* Colorfastness: 20 years*

* Conditions apply

Environmental

Recycled Content	Minimum 60%
Energy	Generated using 40% solar energy
Indoor Air Quality	VOC less than/equal to 0.5mg/m3
Recyclable	100%*
Certifications	Health Product Declaration (HPD)** Environmental Product Declaration Declare Certification - LBC Red List Free (third-party verified) SCS Global Indoor Advantage Gold

* PET is recyclable through participating partners.

** HPD only applies to 12mm thickness.



® The Health Product Declaration® logo is a registered trademark of HPD Collaborative.



For questions or additional product information,
visit acoufelt.com.au or call 1800 626 462

Cover, Staple Ceiling Panels | April 2026

							
White WH12	Milkyway MI74	Ivory IV11	Pearl PE21	Valentine VA70	Quartz QU67	Stonewash ST72	Sea Salt SE57
							
Platinum PL04	Almond AL55	Pistachio PI25	Turmeric TU60	Flamingo FL61	Amethyst AM69	Periwinkle PE23	Peacock PE20
							
Metal ME03	Mushroom MU75	Celery CE65	Wheat WH68	Peach PE19	Lilac LI13	Marine MA15	Sencha SE58
							
Grey GR02	Umber UM54	Wasabi WA29	Popcorn PO26	Currant CU59	Berry BE06	Azure AZ05	Oregano OR18
							
Charcoal CH01	Walnut WA56	Eucalyptus EU71	Carrot CA08	Loganberry LO77	Granite GR62	Denim DE09	Kale KA12
							
Piano Black PI24	Slate SL27	Nori NO76	Peppercorn PE22	Shiraz SH63	Flint FL64	Midnight MI16	



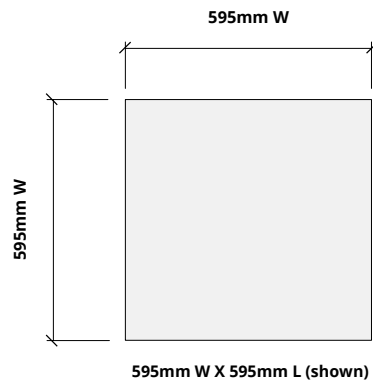
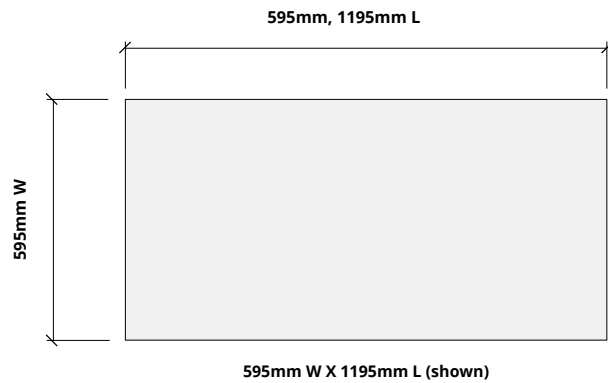
For questions or additional product information,
visit acoufelt.com.au or call 1800 626 462

Cover, Staple Ceiling Panels | April 2026

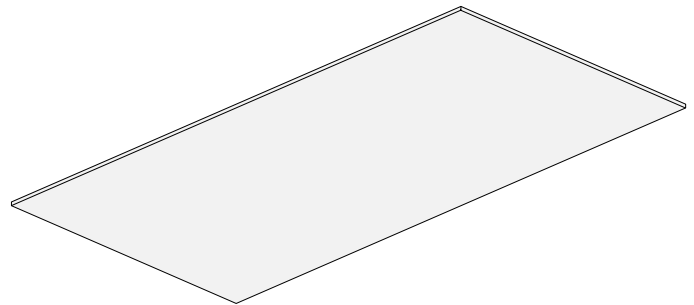
Sizes

Standard Sizes 595mm W x 595mm L
 595mm W x 1195mm L

Plan



Perspective



**595mm x 595mm T-grid spacing is required.*



For questions or additional product information,
visit acoufelt.com.au or call **1800 626 462**

Cover, Staple Ceiling Panels | April 2026

How to Specify

1. Choose Size

2. Choose Colorways

Staple is available in 595mm W x 595mm L, 595mm W x 1195mm L, or 1195mm W x 1195mm L.

1. Choose Size

2. Choose Colorways

See colorway choices on page 3.

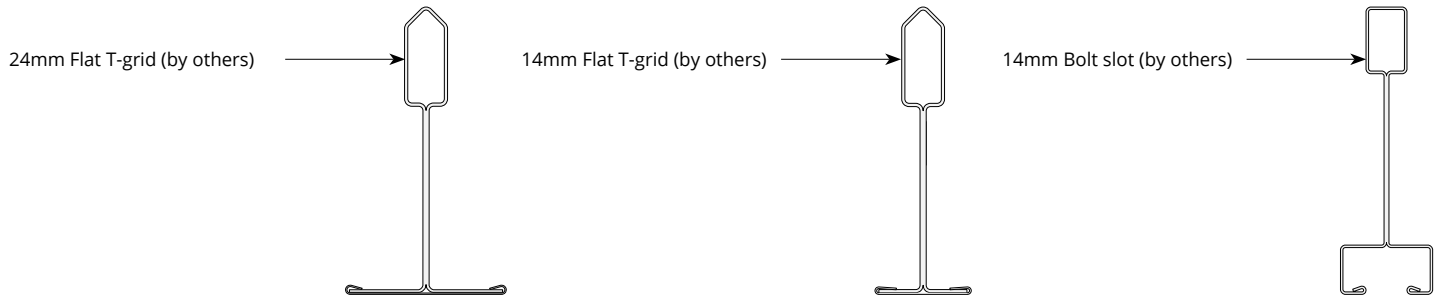


For questions or additional product information,
visit [acoufelt.com.au](https://www.acoufelt.com.au) or call **1800 626 462**

Cover, Staple Ceiling Panels | April 2026

Mounting Methods

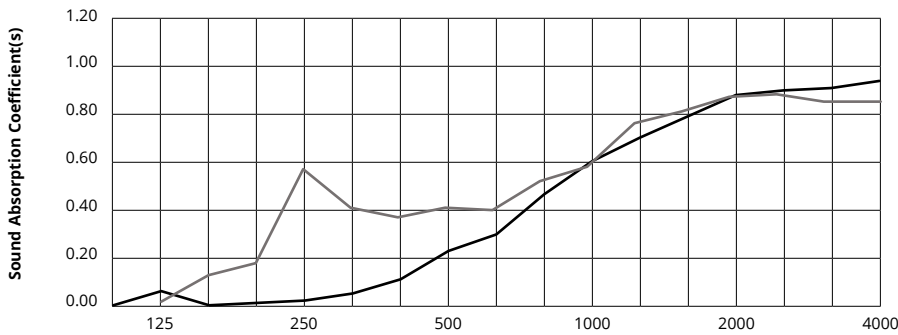
Compatible T-grid types



**595 x 595mm T-grid spacing is required.*

Acoustic Performance

Test Method	ASTM C423-09a
Install Method	A
Rating Method	ISO 11654-2002
Test Results	12mm 0.45 24mm 0.60




Frequency f (Hz)	125	250	500	1000	2000	4000	NRC
12mm	0.06	0.02	0.23	0.61	0.89	0.95	0.45
24mm	0.02	0.57	0.41	0.58	0.87	0.85	0.60

What is a Noise Reduction Coefficient (NRC)?

You'll find the NRC rating in the specifications of all of our products. This acronym stands for Noise Reduction Coefficient, and is expressed as a single number, a rating that describes the degree to which acoustic products can absorb sound.

You can use NRC values to understand the overall performance of our acoustic wall and ceiling products. The higher the NRC, the better the product is at soaking up the sound.

Performance Indices: Noise Reduction Coefficient (NRC) results represent the absorption coefficients measured at the one third octave bands at 125, 250, 500, 1000, 2000 and 4000 Hz rounded to the nearest 0.05. Acoustic testing has been performed according to the methods mentioned above. Customization of installation of the product could alter the results. Sound Absorption Average (SAA) indicates the absorption coefficient average for the twelve one-third octave bands ranging between 200 and 2500 Hz.

 For questions or additional product information, visit [acoufelt.com.au](https://www.acoufelt.com.au) or call 1800 626 462

Cover, Staple Ceiling Panels | April 2026