

acoufelt
making quiet




Layered Ceiling Baffles


Specifications

Application	Ceiling
Composition	100% polyester
Material	FilaSorb™
Recycled content	60% min
Weight	2400gsm
Thickness	24mm +/- 10%
Dimensions	200 x 1400mm - 1.15kg per 24mm baffle 200 x 2800mm - 2.3kg per 24mm baffle


Sustainability




Made from 60% min. recycled content




Declare Red List Free (3rd Party Verified)



Generated using 40% solar energy



Recyclable at end of lifespan



Total VOC's less than 0.5 mg/m³ (3rd Party Verified)



Technical Data

Fire test method	Result pending
Total VOC test method	SCS-EC10.3-2014 v4.0 meeting standard CDPH/EHLB Standard Method v.1.2-2017
Total VOC result	≤ 0.5mg/m ³
Colorfastness test method	ISO 105-B02
Rating	6-7
Water vapour sorption method	ASTM C1104-2019 (Procedure A Modified)
Water sorbed by weight	0.20% (results based on a 12mm thick panel)

Details

Lead time	6-8 weeks
Origin	United Kingdom
Warranty against defects	20 years*
Colorfastness warranty	20 years*

*conditions apply

Acoustic Performance

Test method

STM C423-17: Standard Test Method for Sound Absorption and Sound Absorption Coefficients by the Reverberation Room Method

Installation method

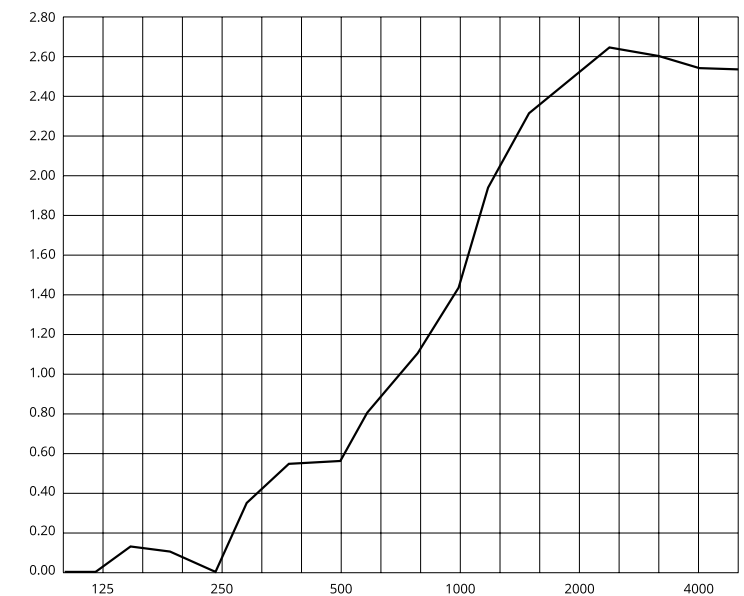
J, Sample tested 6 baffles each 2.8m x 0.3m x 24mm

Rating method

AS ISO 11654 -2002: Acoustics - Rating of sound absorption - Material and systems

Test results

NRC 1.15 | aw <1.0 (MH), Class E



Frequency (Hz)	125	250	500	1000	2000	4000	NRC	Class Rating
24mm	0.01	0.00	0.56	1.45	2.52	2.55	1.15	Class E

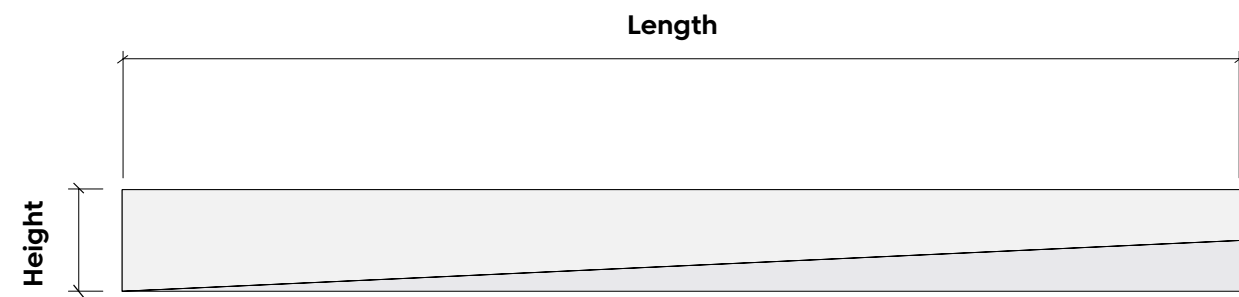
Performance Indices: **Noise Reduction Coefficient (NRC)** results represent the absorption coefficients measured at the one third octaves bands at 125, 250, 500, 1000, 2000 and 4000 Hz rounded to the nearest 0.05. Acoustic testing has been performed according to the methods mentioned above. Customization of installation of the product could alter the results.

Reveal Design

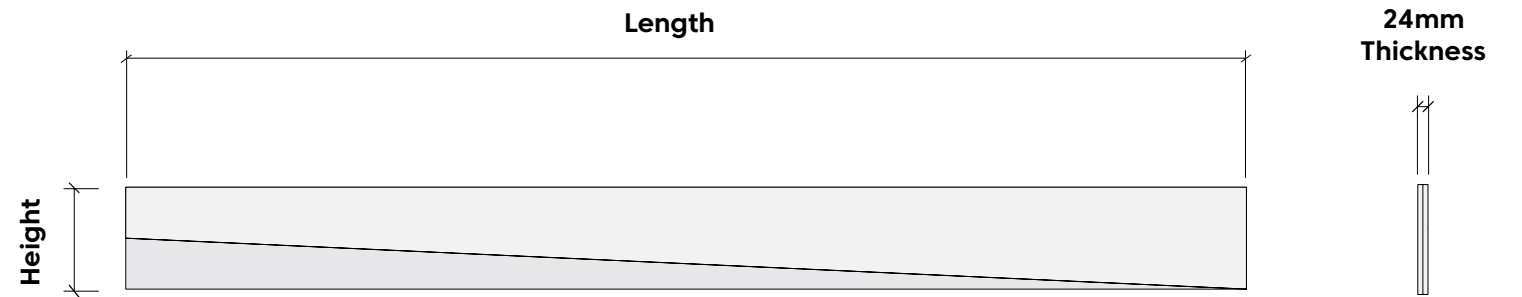
Sizes

Standard Height	200mm
Standard Lengths	1400 & 2800mm <i>Custom sizes available</i>
Thickness	24mm

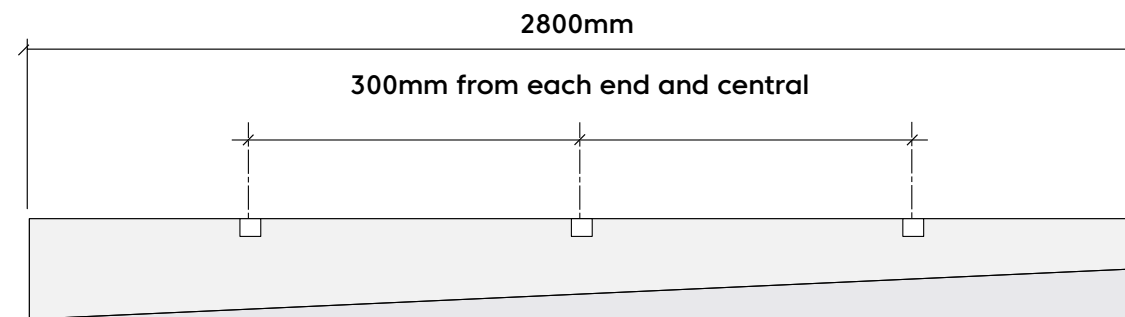
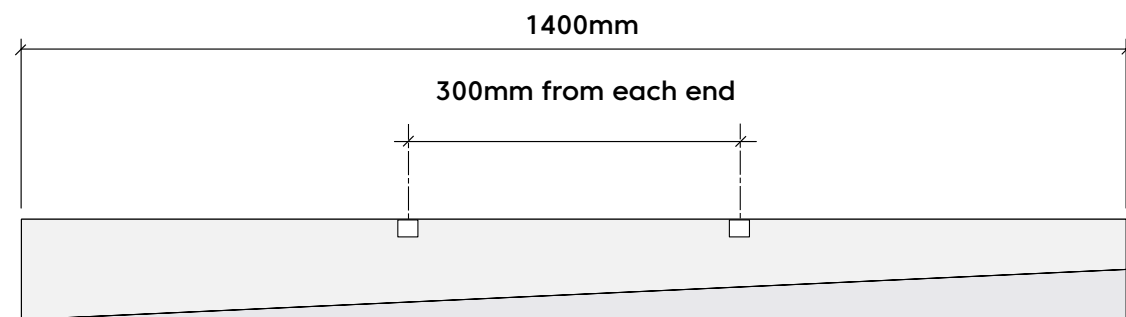
Reveal 1 (RE1)



Reveal 2 (RE2)

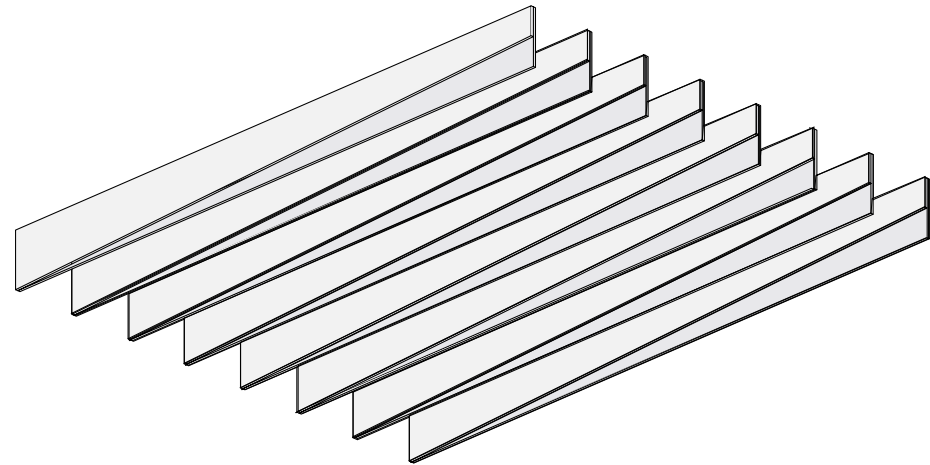


Hardware Spacing

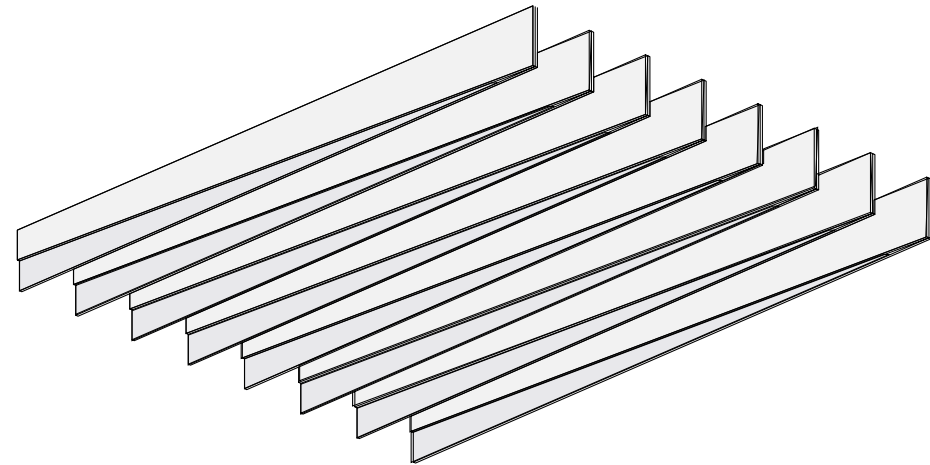


Recommended Layouts

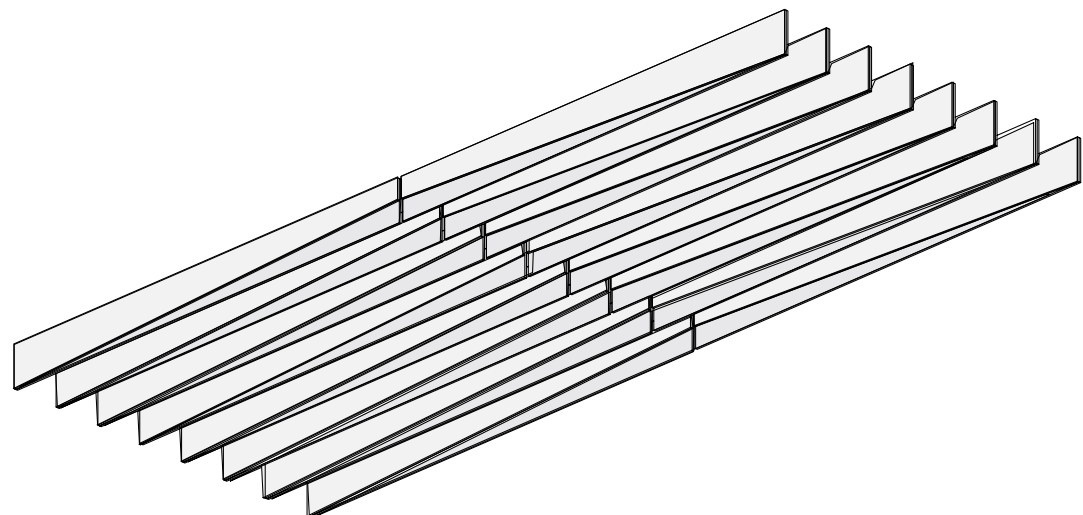
Layout 1 (100% RE1)



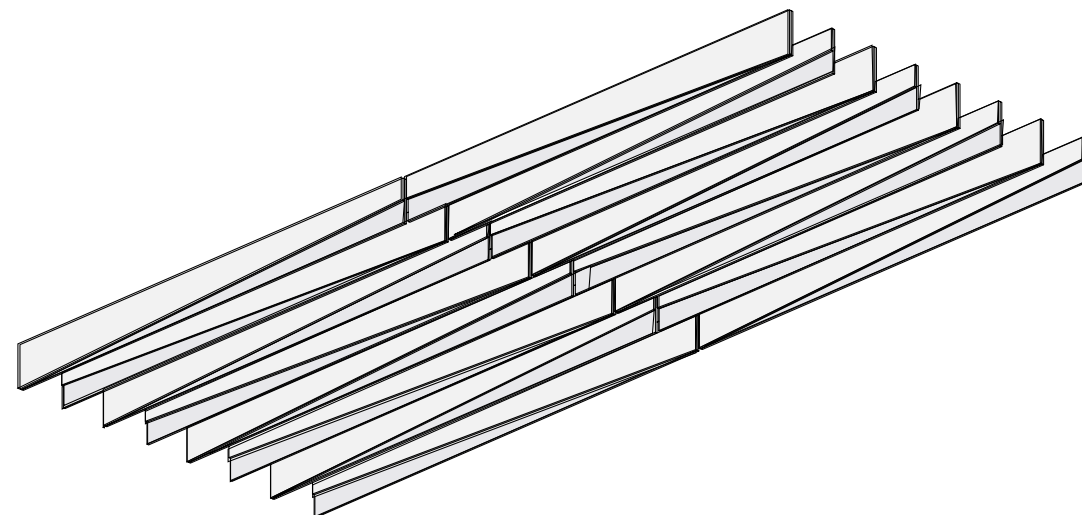
Layout 2 (100% RE2)



Layout 3 (50% RE1 & 50% RE2)



Layout 4 (50% RE1 & 50% RE2)

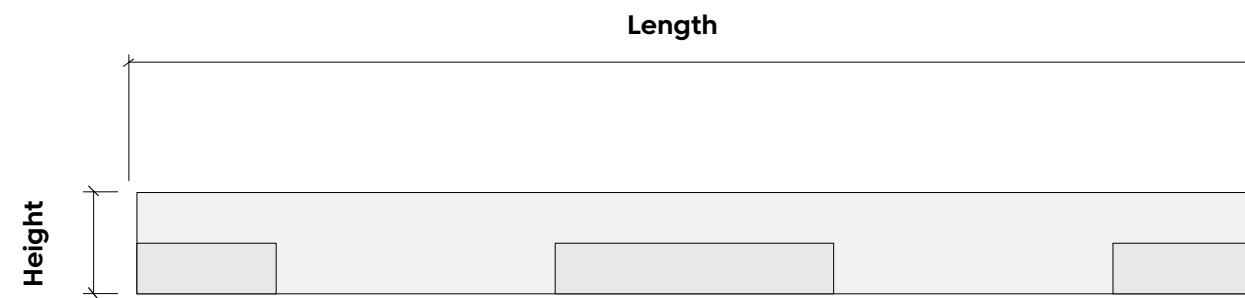


Groove Design

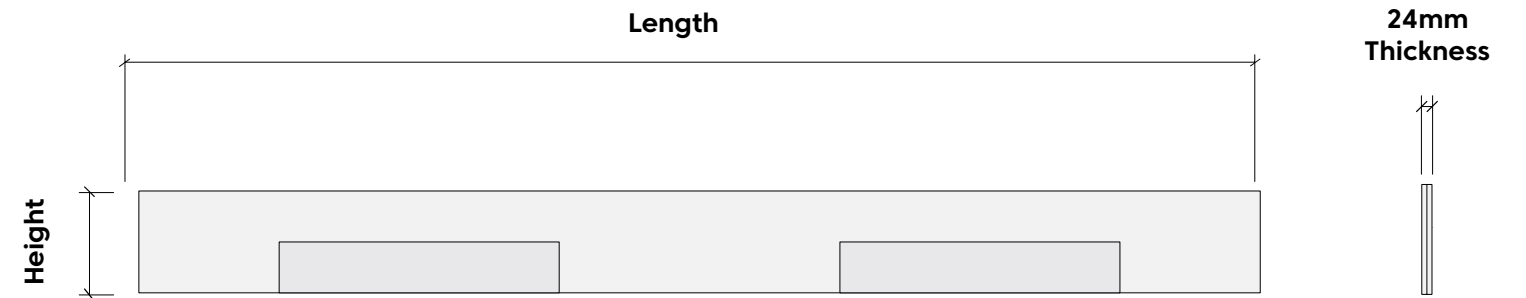
Sizes

Standard Height	200mm
Standard Lengths	1400 & 2800mm <i>Custom sizes available</i>
Thickness	24mm

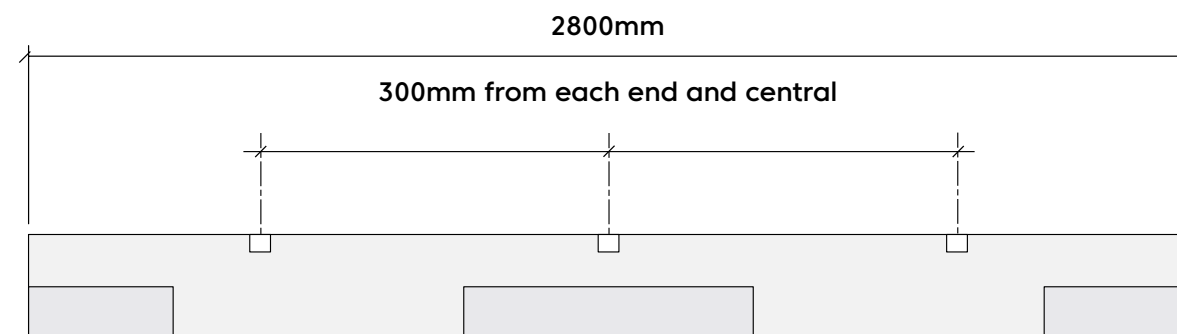
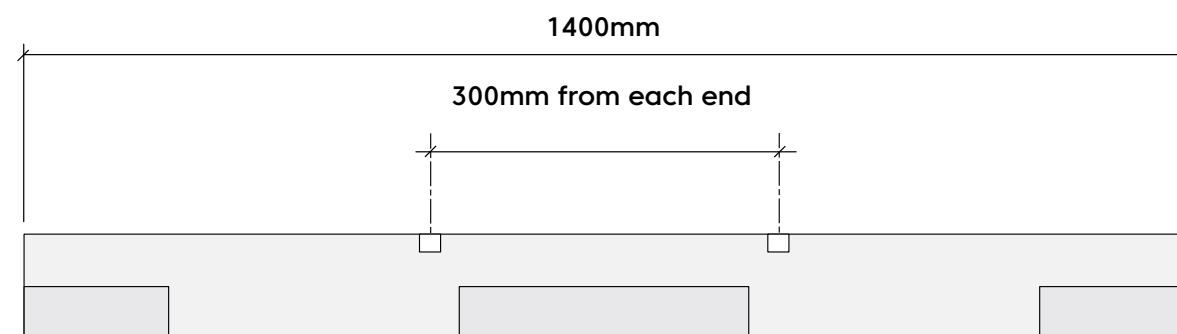
Groove 1 (GR1)



Groove 2 (GR2)

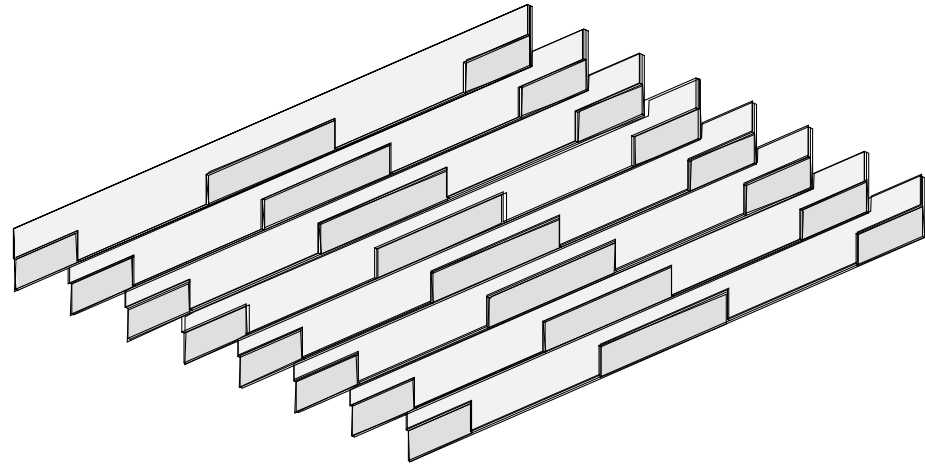


Hardware Spacing

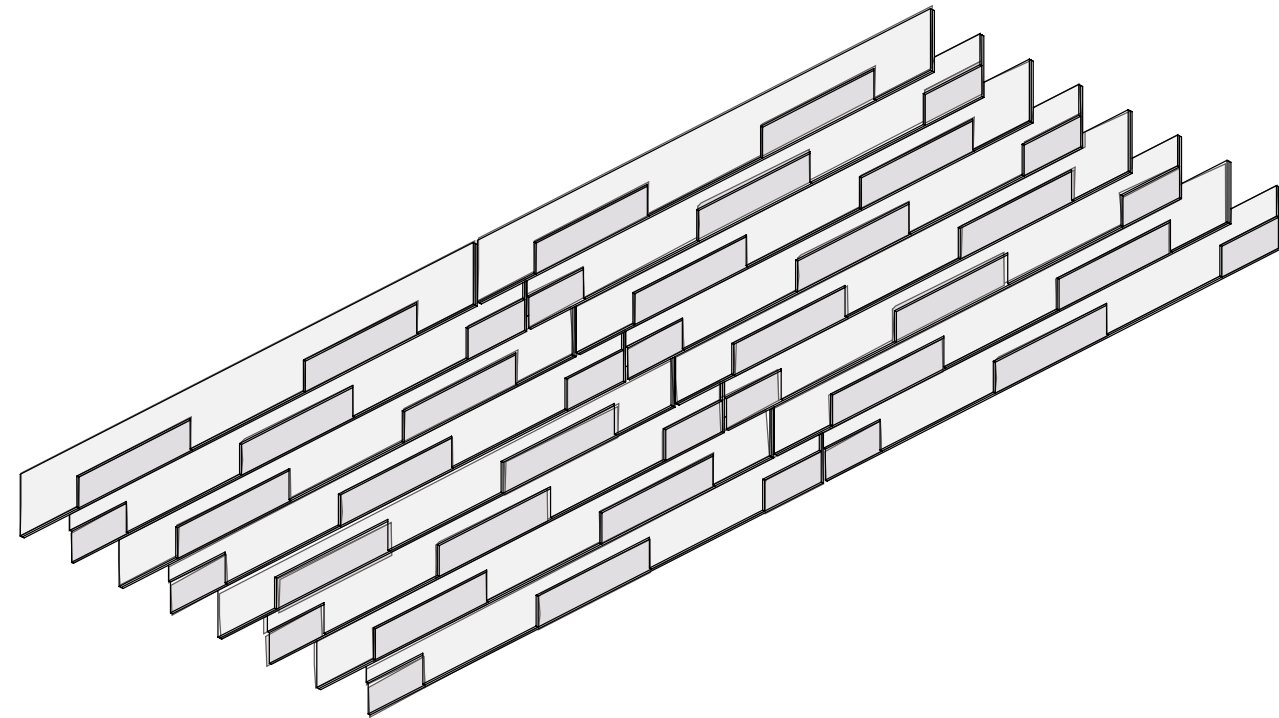


Recommended Layouts

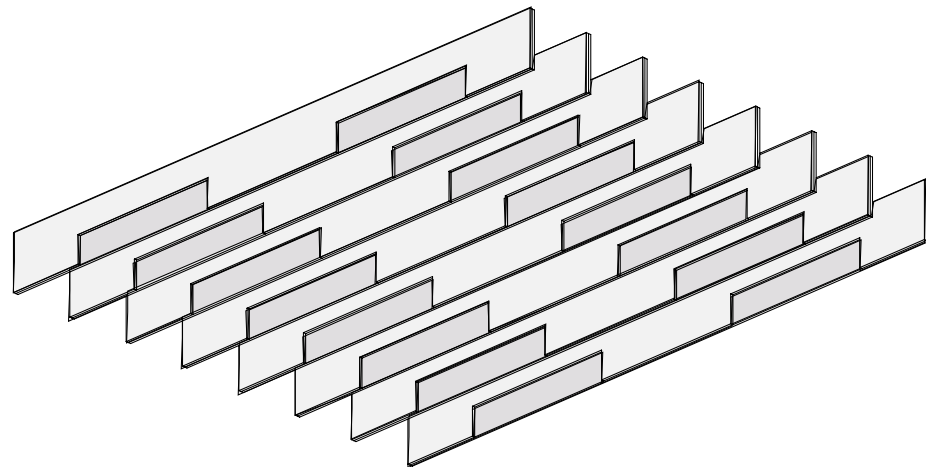
Layout 1 (100% GR1)



Layout 3 (50% GR1 & 50% GR2)



Layout 2 (100% GR2)



FilaSorb™ Colorways

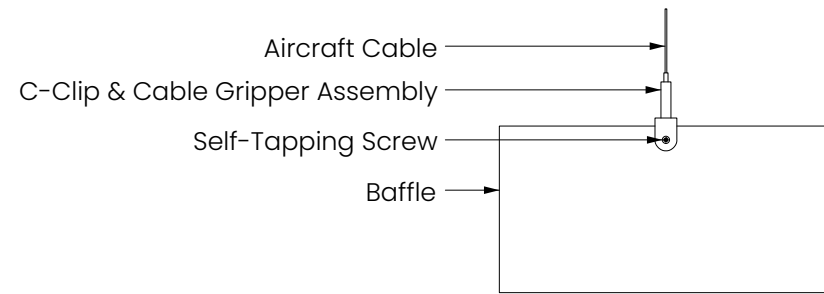


Can't find a color?

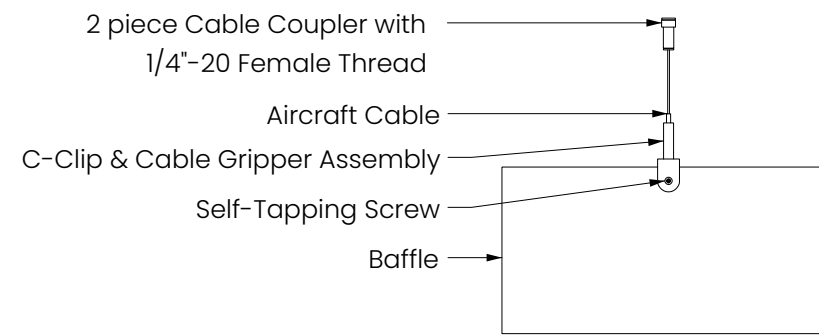
We are constantly updating our palette, which includes adding and discontinuing certain color lines. If you can't find the color you are looking for, please contact us with your color request, as we may still have stock available.

Mounting Methods

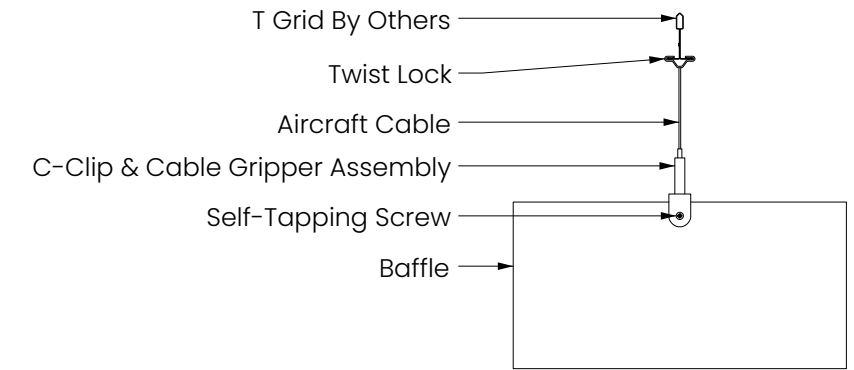
Cable



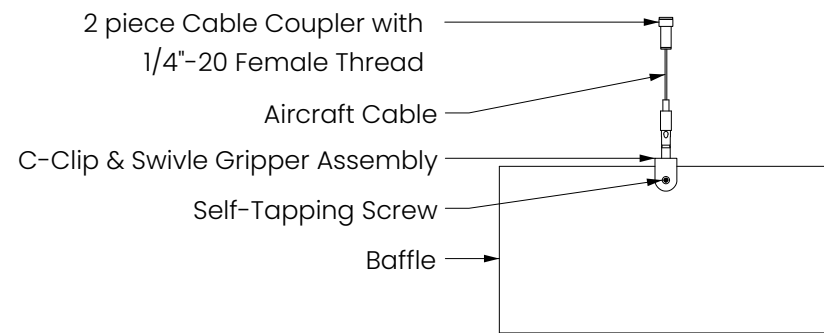
Cable To Deck



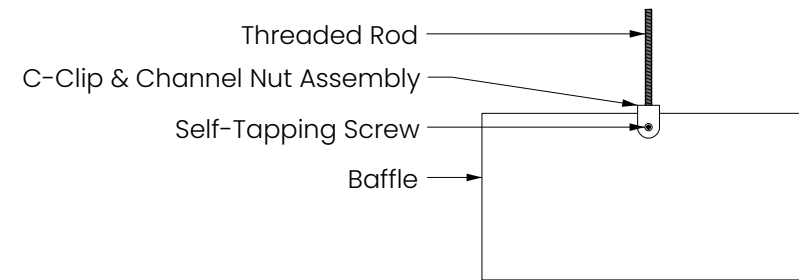
Cable To T Grid



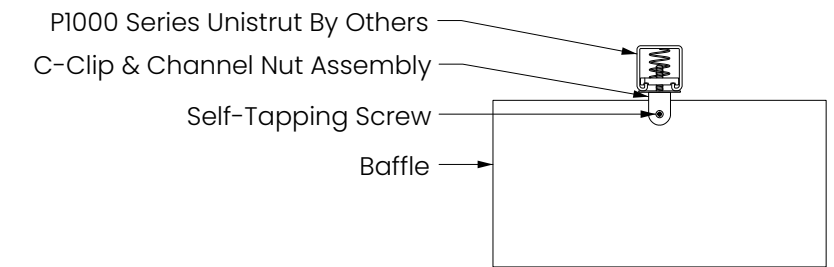
Swivel Cable To Deck



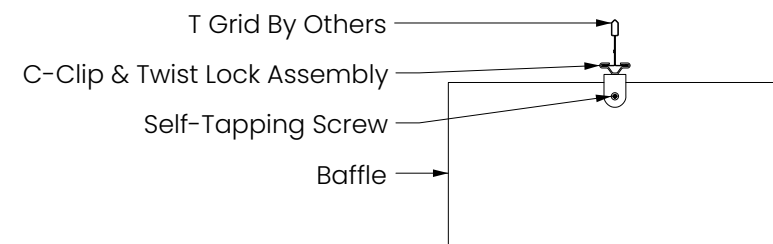
Threaded Rod



Threaded Rod to Unistrut



Twist Lock To T Grid



Magnet to T Grid

