



SoftenUp Ceiling System

FilaSorb™ 12

acoufelt
making quiet

Product Detail

Product	SoftenUp Ceiling System
Surface	Ceiling
Composition	100% Polyester
Material	FilaSorb™
Recycled Content	60% min.
Thickness	12mm 0.47" +/- 10%
Weight	0.49 lb/ft ² +/- 10%
Slat Profile Dimension	Width Depth 50.8mm or 101.6mm 25.4mm or 76.2mm
Panel Dimension	609.6mm W x 609.6mm L x 12.7mm D 609.6mm W x 1219.2mm L x 12.7mm D 609.6mm W x 2438.4mm L x 12.7mm D Custom size available upon request.
Compatible T Grid Layout	Standard 2' x 2' Grid

Technical Data

Fire Test Method Number	AS ISO 9705:Group 1 ASTM E84-17a Class A
Indoor Air Quality	Low VOCs emission, formaldehyde and Phenol-free
Light Fastness	ISO 105-B02 1994, 6-7

Acoustic Performance

Product acoustic performance testing is in progress.

Guarantees

Lead Time	Ships in 4-6 weeks
Light Fastness Warranty	10 Years*
Customizable	Yes

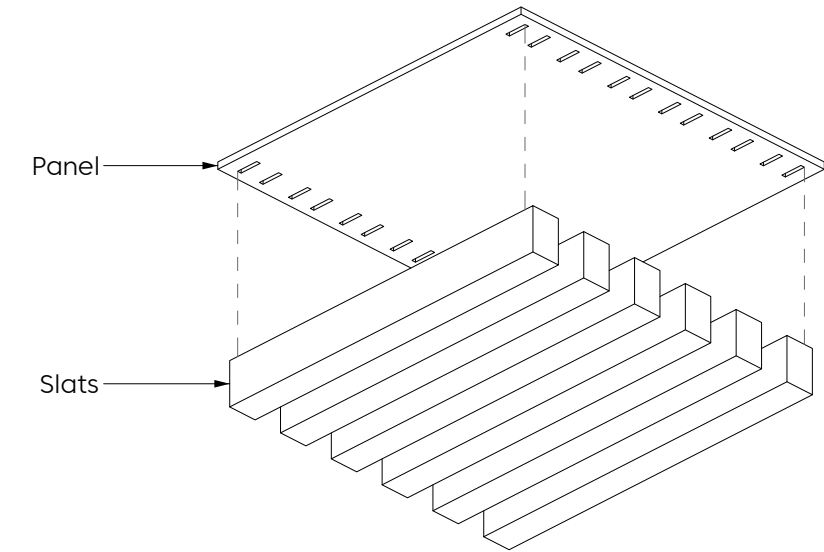
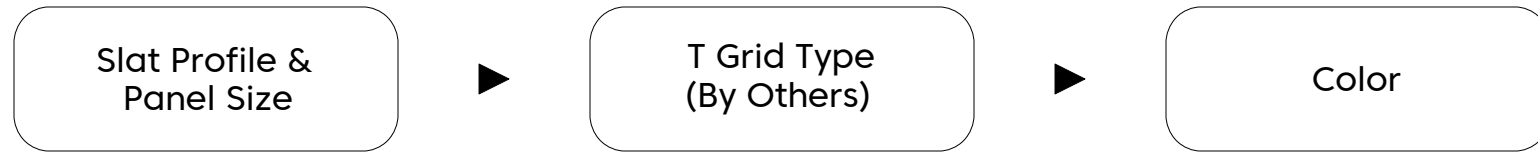
* conditions apply

Environmental Attributes

- Declare Certification
- LCB Red List Free
- Phenol And Formaldehyde Free
- Low VOC
- CDPH Compliance
- Aligns With Building Standards



Specifying Process



* Ships assembled

Choose Your Option See following pages for details.

Slat Profile			Panel Size (Nom.)			T Grid Type (By Others)			Color		
	50.8mm W x 25.4mm D			50.8 x 50.8			15/16" Flat			Slat	
	101.6mm W x 25.4mm D			50.8 x 101.6			9/16" Flat			Panel	
	50.8mm W x 76.2mm D			50.8 x 203.2			9/16" Bolt Slot				
	101.6mm W x 76.2mm D										

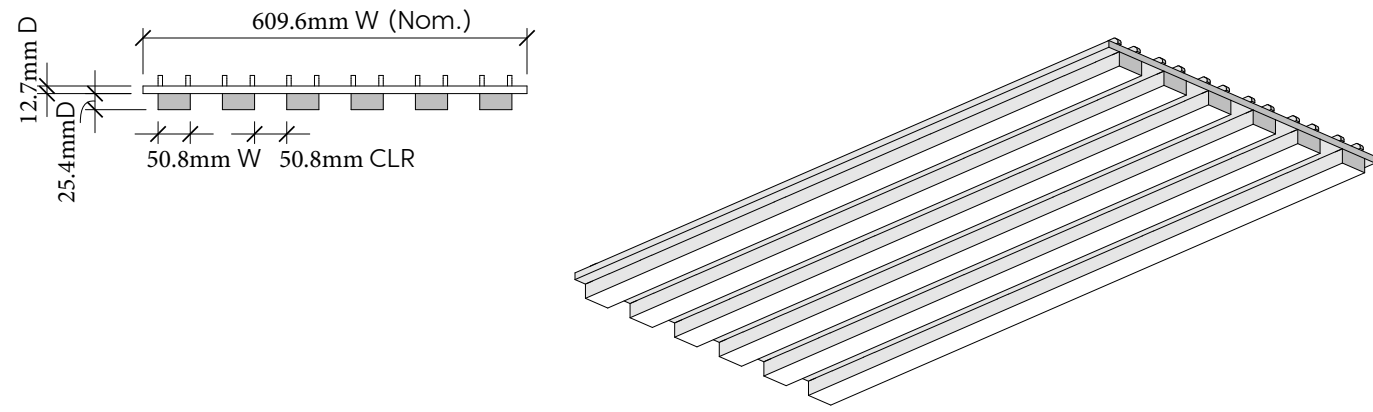
Slat Profile & Panel Size

Slat Profile & Panel Size

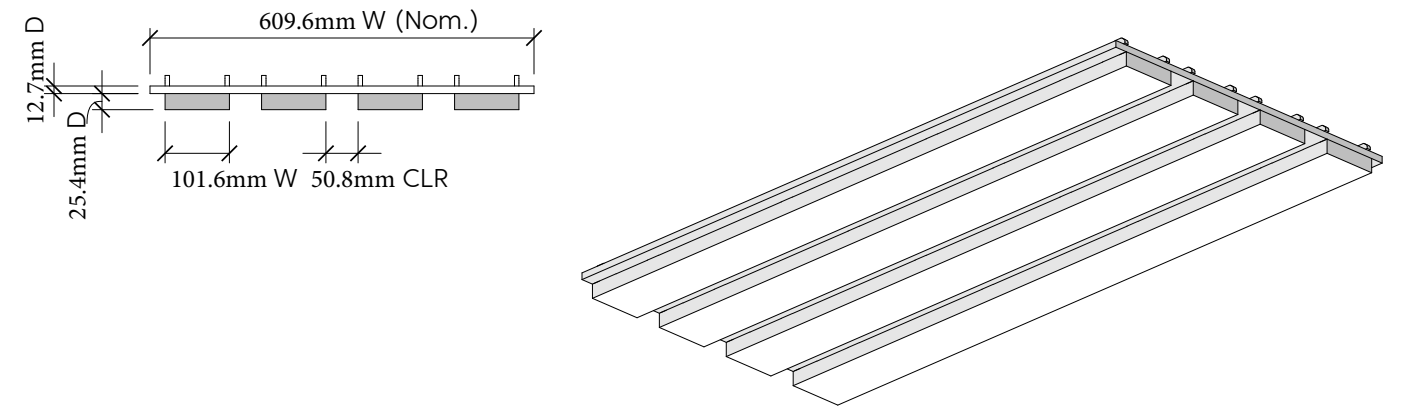
T Grid Type (By Others)

Color

Linear Narrow Plank 50.8mm W x 25.4mm D Slat Profile

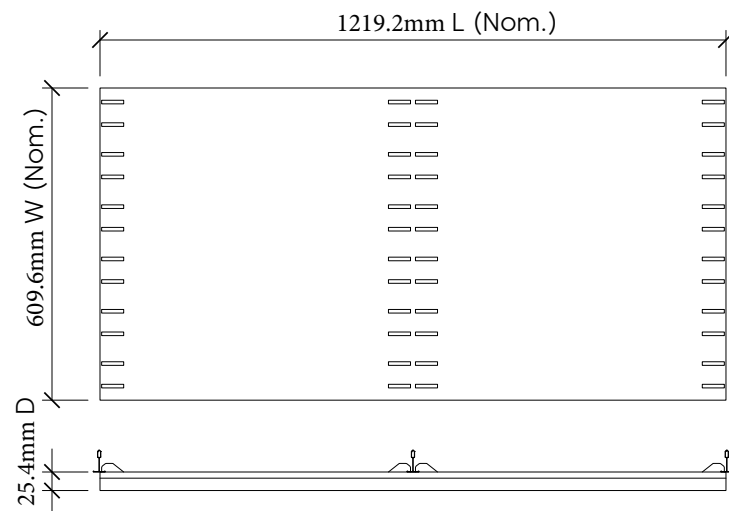
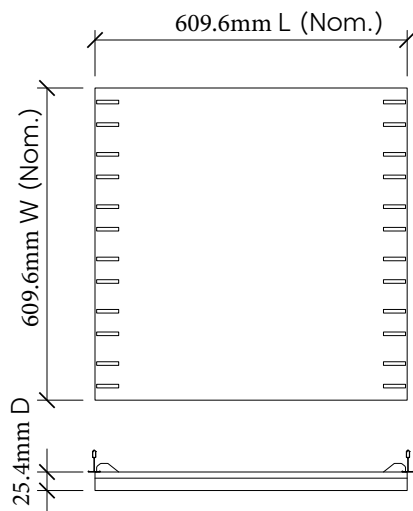


Linear Wide Plank 101.6mm W x 25.4mm D Slat Profile

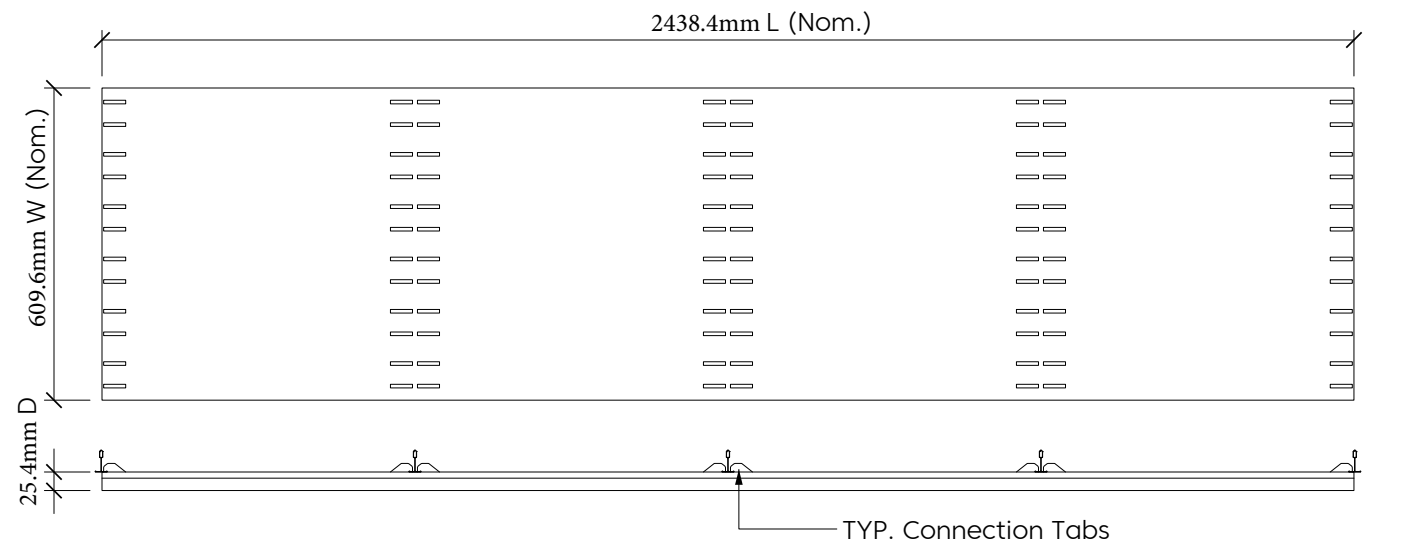


609.6mm W x 609.6mm L (Nom.) Panel

609.6mm W x 1219.2mm L (Nom.) Panel



609.6mm W x 2438.4mm L (Nom.) Panel



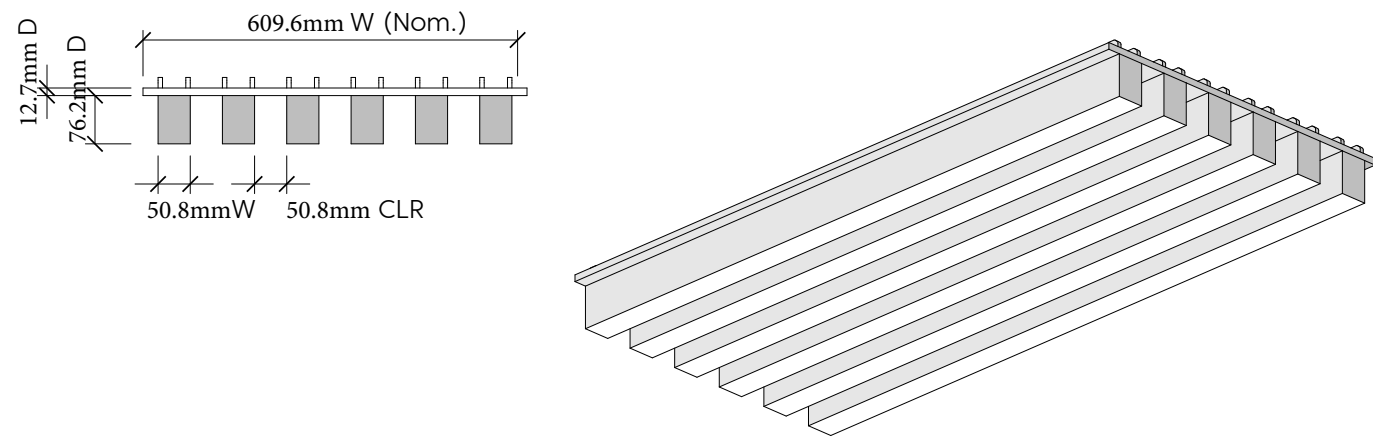
Slat Profile & Panel Size

Slat Profile & Panel Size

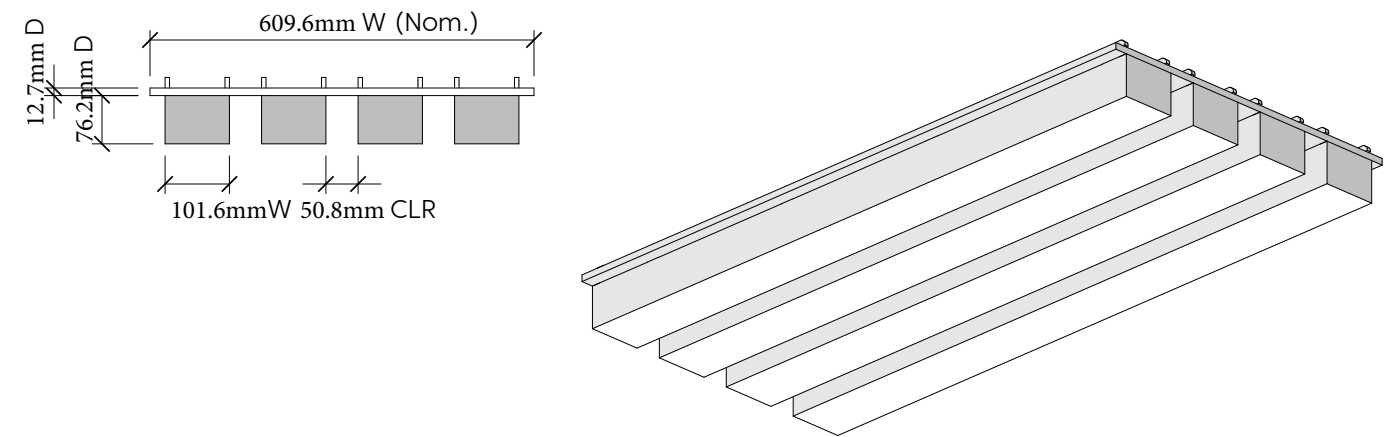
T Grid Type (By Others)

Color

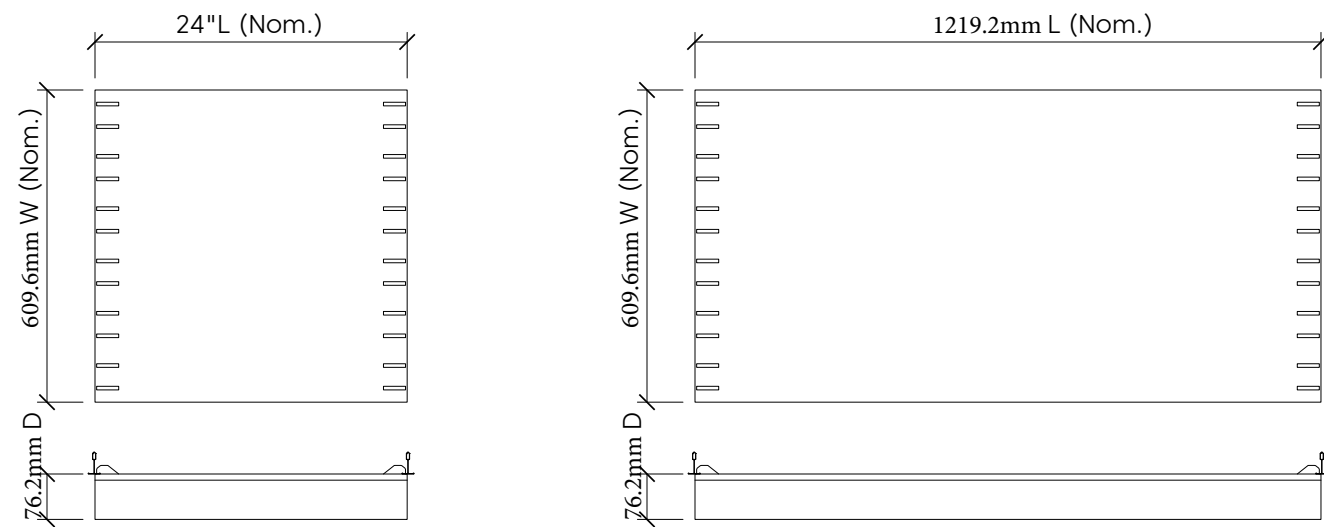
Linear Narrow Plank 2"W x 3"D Slat Profile



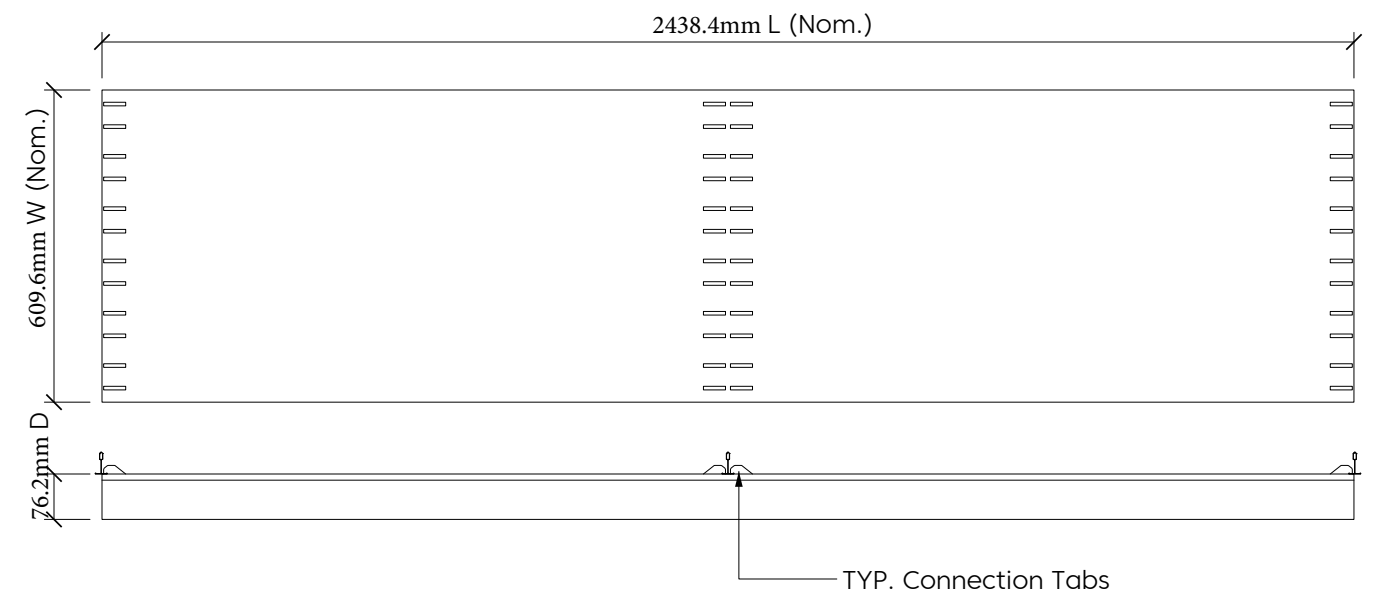
Linear Wide Plank 4"W x 3"D Slat Profile



609.6mm W x 609.6mm L (Nom.) Panel 609.6mm W x 1219.2mm L (Nom.) Panel



609.6mm W x 2438.4mm L (Nom.) Panel



Installation

Slat Profile & Panel Size

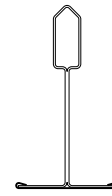
T Grid Type (By Others)

Color

Axon

Compatible T Grid Type (By Others)

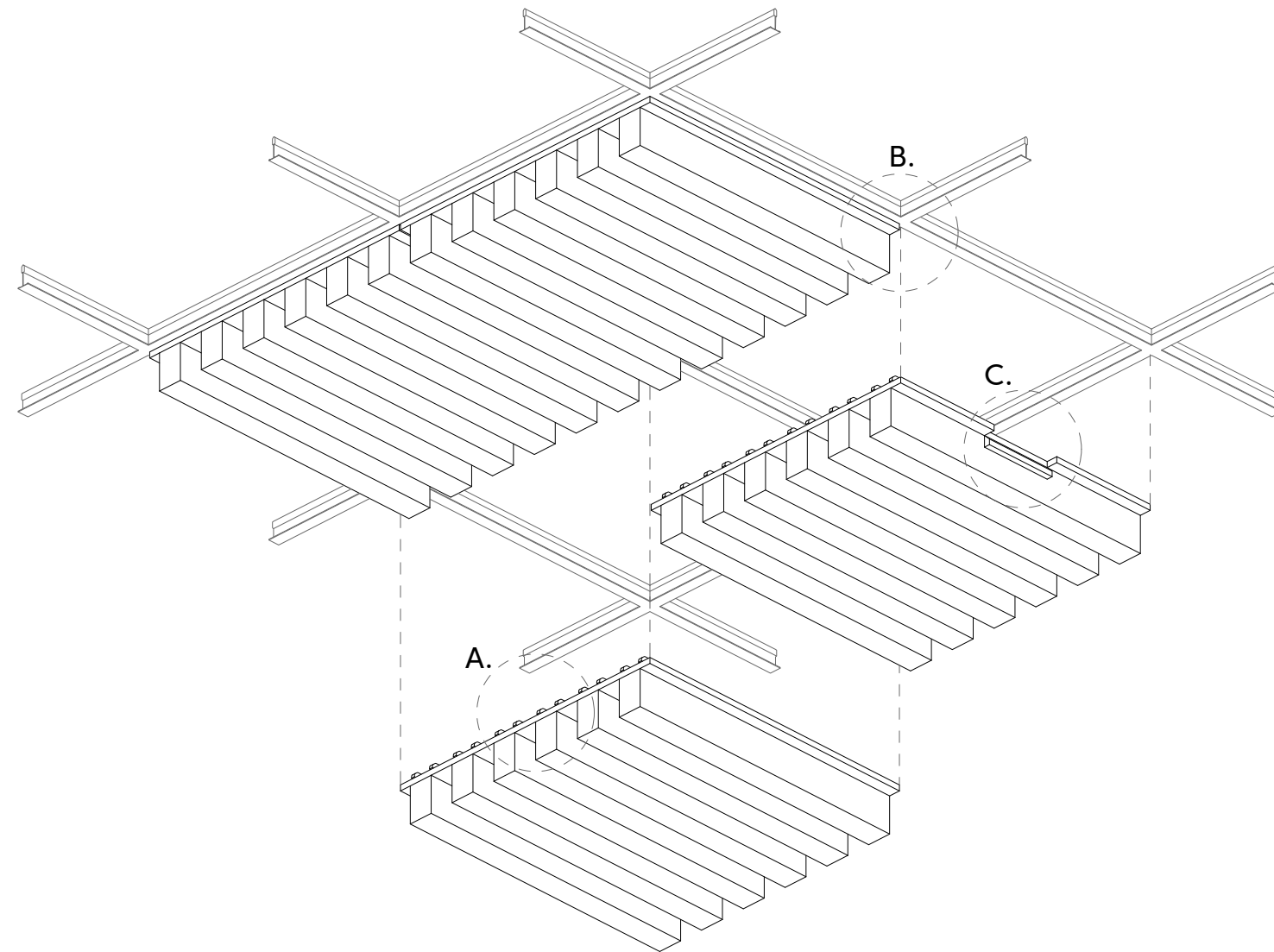
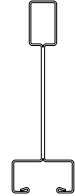
15/16" Flat



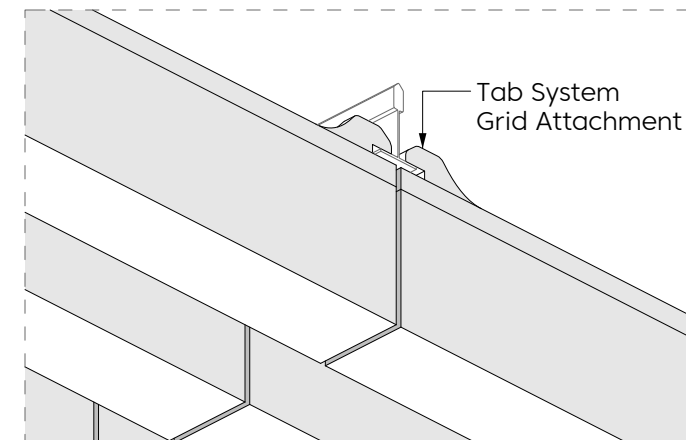
9/16" Flat



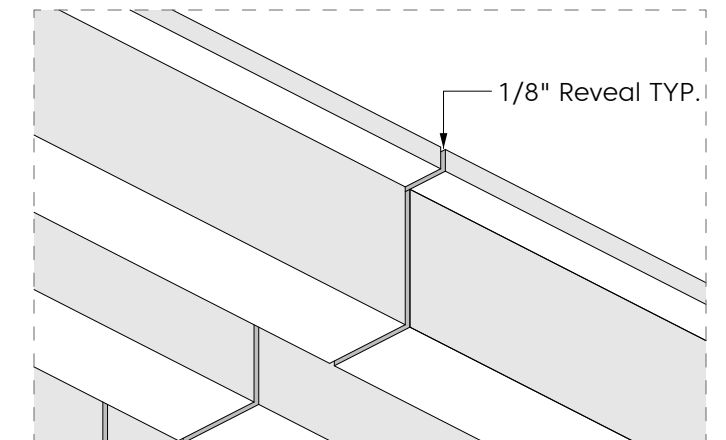
9/16" Bolt Slot



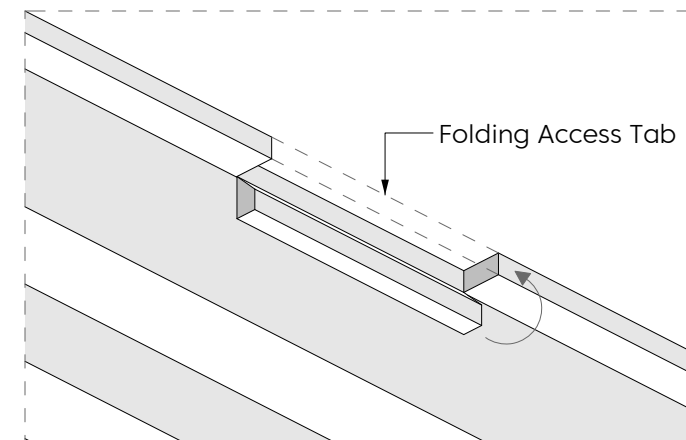
A. Suspension



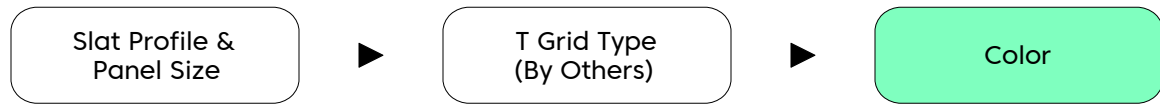
B. Tolerance & Reveal





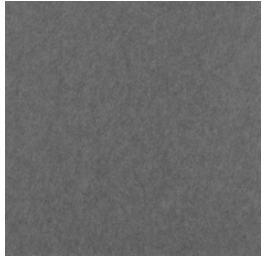



C. Ceiling Access



Slat & Panel Colorways

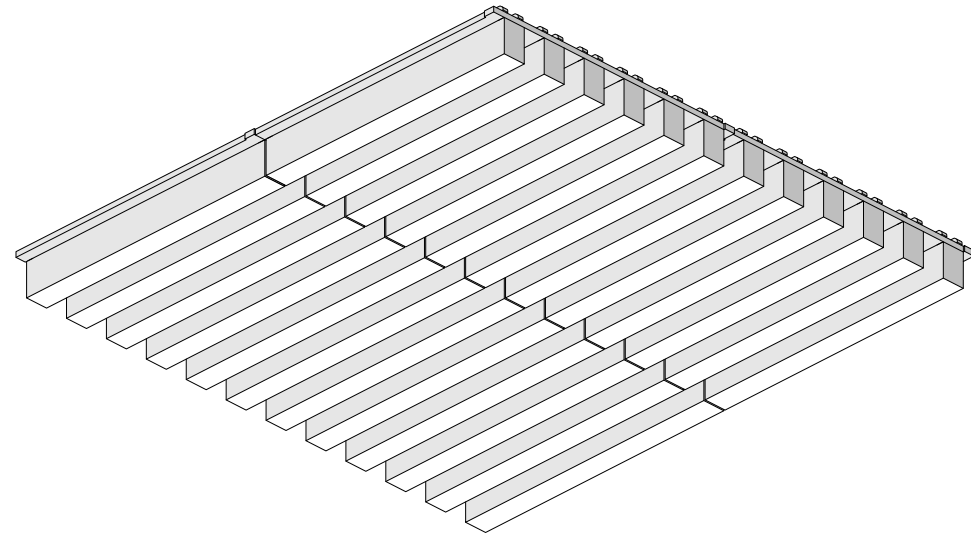


									
Lipstick Red LI14	Carrot CA08	Butter BU07	Popcorn PO26	Pistachio PI25	Wasabi WA29	Thistle TH28	Peacock PE20	Oregano OR18	Kale KA12
									
Denim DE09	Midnight MI16	Azur AZ05	Marine MA15	Periwinkle PE23	Iris IR10	Berry BE06	Lilac LI13	Peach PE19	Peppercorn PE22
									
Piano Black PI24	Charcoal CH01	Slate SL27	Grey GR02	Metal ME03	Platinum PL04	White WH12	Pearl PE21	Ivory IV11	

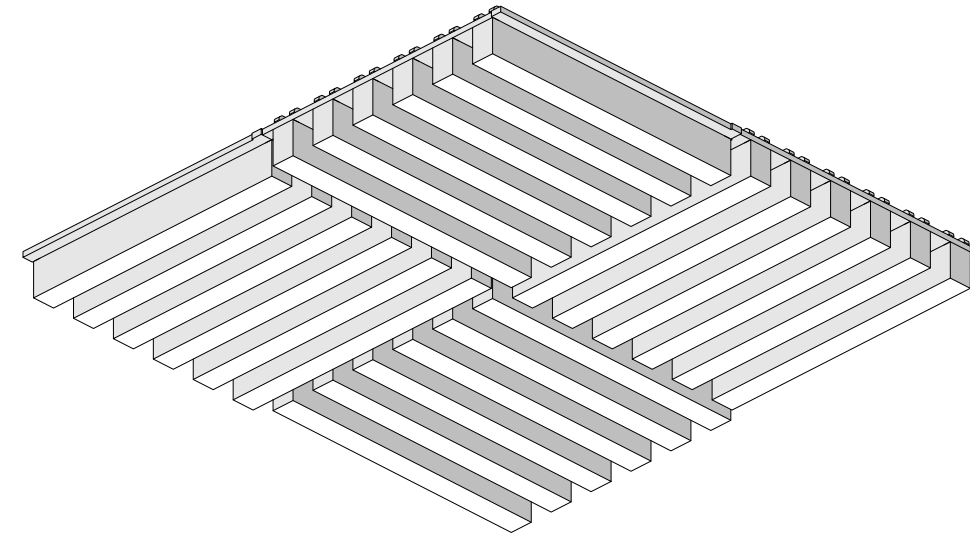
*For dark panels, dark drop ceiling grids (not provided by Acoufelt) are recommended but not required.

Recommended Layouts

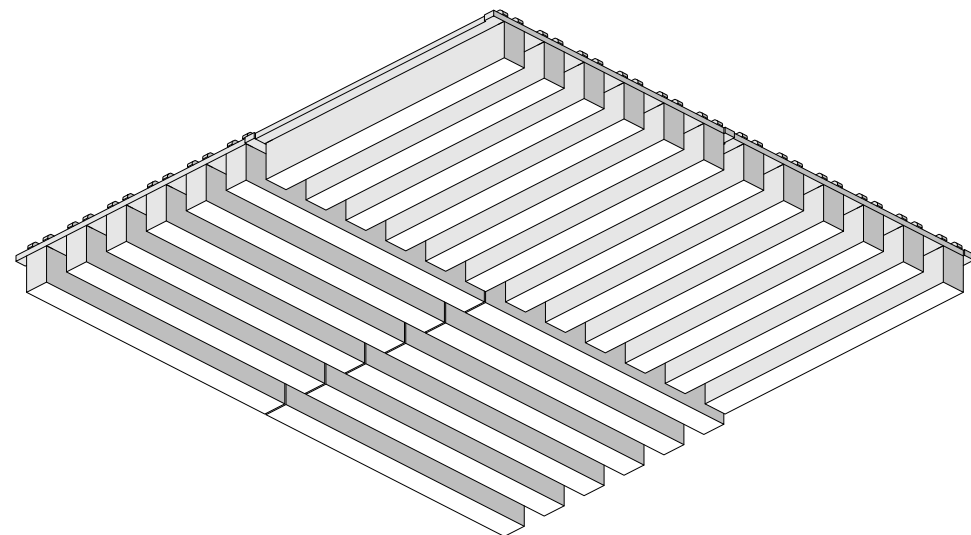
Layout 1



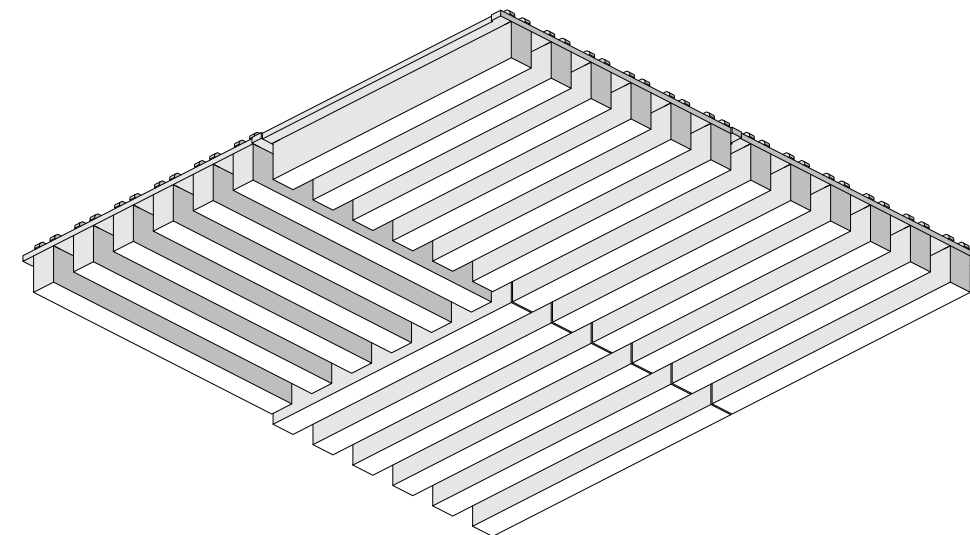
Layout 2



Layout 3

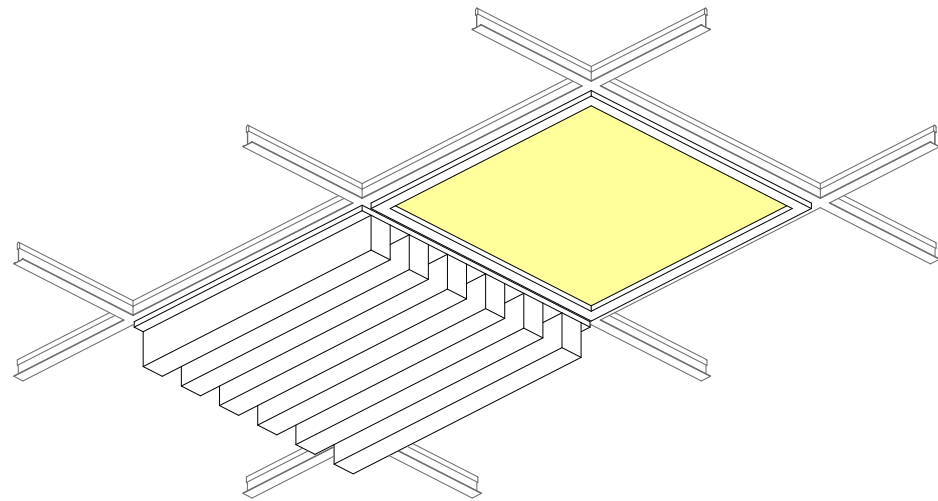


Layout 4

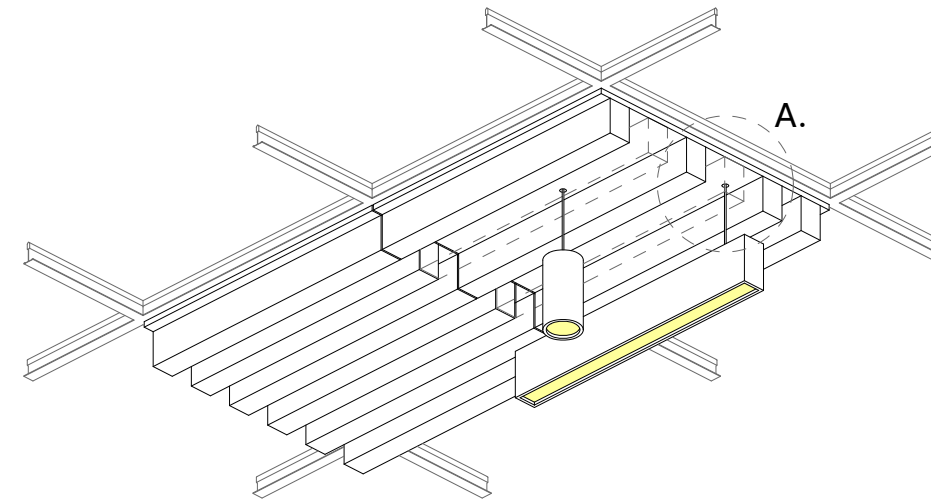


Lighting Coordination

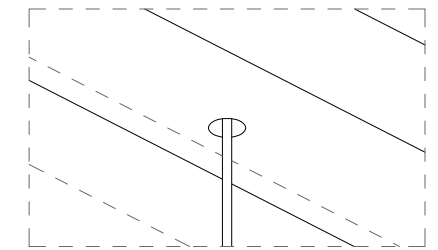
50.8mm x 50.8mm, 50.8mm x 101.6mm Grid Light



Drop Pendant Light

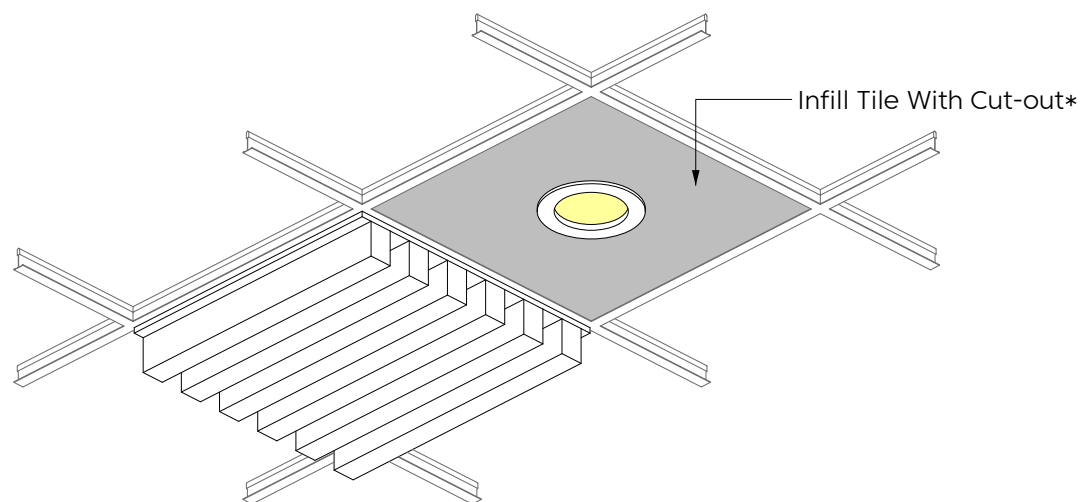


A. Cut-Out For Stem(s)*



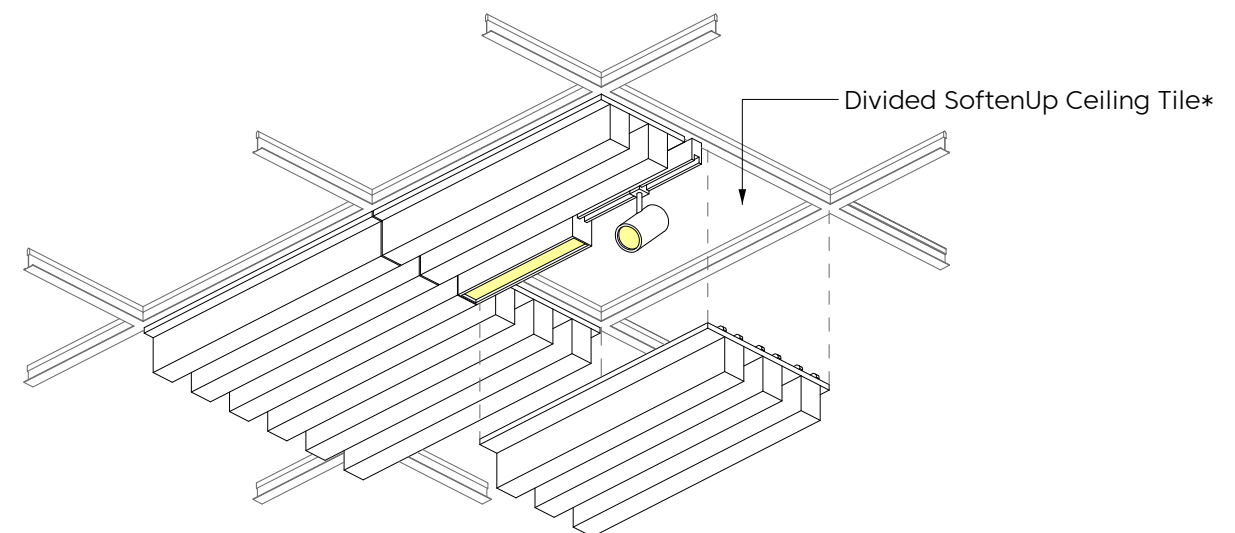
* Cut On-Site (Between Slats)

Recessed Light



*Cut On-Site

Grid Mounted Light (Track, Pendant)



* Cut On-Site (Between Slats)

Notes

Suspension

The SoftenUp ceiling system is designed to connect to standard drop ceiling grid systems via a series of tabs integrated into the design. No additional hardware is required for standard installation. Seismic zones may require additional considerations. See note on seismic.

Life Safety

The panels can be trimmed on site, using a sharp utility knife, to accommodate any exit signage and/or wayfinding markings. Cut-outs must occur in 2" gap between slats. All fixtures must be supported independent of tiles.

*Panels cut on-site may require additional support.

Weight

SoftenUp tiles featuring a 3"D slat weigh 2 lbs/sqft. SoftenUp tiles featuring a 1"D slat weigh 1.25 lbs/sqft.

Clearance/Tolerance

When installed, SoftenUp tiles have a consistent 1/8" reveal to account for any on-site tolerance concerns. Panels have a method for tile alignment integrated into the design.

*A continuous slat design is available - contact Acoufelt for further details.

MEP/FP

The panels can be trimmed on site, using a sharp utility knife, to accommodate any MEP/FP fixtures including but not limited to drop-in lighting and diffusers, recessed lighting, linear diffusers, concealed and exposed fire sprinklers, and A/V equipment. Please consult all local and municipal codes, as well as a licensed engineer, for full compliance requirements. Cut-outs must occur in 2" gap between slats. All fixtures must be supported independent of tiles.

*Panels cut on-site may require additional support.

Ceiling Access

Panels with an integrated folding access tab are available upon request. These folding tabs allow for the removal of individual tiles to access ceiling systems.

Seismic

SoftenUp tiles can provide seismic compliance through a mechanical direct screw attachment through the panel to the grid system or an individual tile off to building structure. Please consult all local and municipal codes, as well as a licensed engineer, for full compliance requirements.