



QuietForm Wall Panels

Premier Collection

The QuietForm™ panel is a thermal-molded acoustic solution that combines striking three-dimensional wall designs with transformative soundscaping functionality. Available in a wide spectrum of Premier color options, QuietForm panels can be effortlessly installed over any existing wall surface. With a variety of designs to choose from and the flexibility to rotate panels for unique patterns, QuietForm empowers creativity while enhancing both aesthetics and acoustic performance.

Specifications

Surface	Wall
Material	FilaSorb™ polyester felt
Weight	12mm 2400gsm 24mm 4500gsm
Standard Sizes	1200 x 2800mm



QuietForm Wall Panel with Celestial A Pattern in Eucalyptus

Technical

NRC Rating	12mm* 0.45, no air gap 0.60, 20mm air gap 0.75, 50mm air gap 24mm* 0.60, no air gap
Fire Test	AS ISO 9705:2033 According to AS 5637.7:2015 requirements Group 1 0.93
Water Sorption	ASTM C1104-2019 (A Modified) Water sorbed by weight: 0.20% (based on a 12mm thick panel)
Colorfastness	ISO 105-B02, 6-7

* Test results available upon request.

Details

Lead Time	Refer to Product Lead Time Matrix
Origin	Australia
Warranty	Product: 20 years* Colorfastness: 20 years*

* Conditions apply

Environmental

Recycled Content	Minimum 60%
Energy	Generated using 40% solar energy
Indoor Air Quality	VOC less than/equal to 0.5mg/m3
Recyclable	100%*
Certifications	Health Product Declaration (HPD)** Declare Certification - LBC Red List Free (third-party verified) SCS Global Indoor Advantage Gold

* PET is recyclable through participating partners.

** HPD only applies to 12mm thickness.



© The Health Product Declaration® logo is a registered trademark of HPD Collaborative.



For questions or additional product information,
visit [acoufelt.com.au](https://www.acoufelt.com.au) or call 1800 626 462

Quietform Wall Panels | March 2026

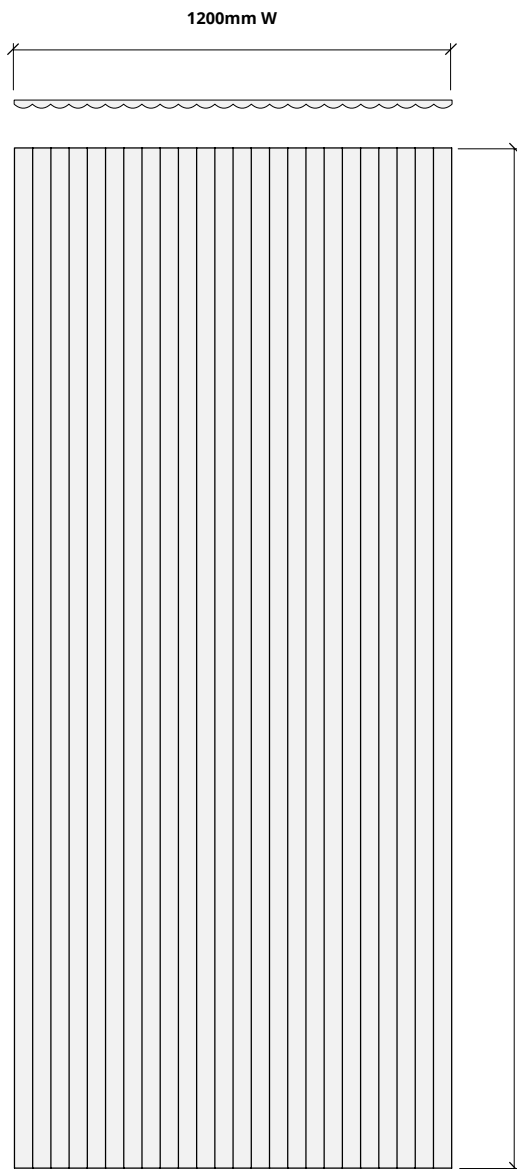
							
White WH12	Milkyway MI74	Ivory IV11	Pearl PE21	Valentine VA70	Quartz QU67	Stonewash ST72	Sea Salt SE57
							
Platinum PL04	Almond AL55	Pistachio PI25	Turmeric TU60	Flamingo FL61	Amethyst AM69	Periwinkle PE23	Peacock PE20
							
Metal ME03	Mushroom MU75	Celery CE65	Wheat WH68	Peach PE19	Lilac LI13	Marine MA15	Sencha SE58
							
Grey GR02	Umber UM54	Wasabi WA29	Popcorn PO26	Currant CU59	Berry BE06	Azure AZ05	Oregano OR18
							
Charcoal CH01	Walnut WA56	Eucalyptus EU71	Carrot CA08	Loganberry LO77	Granite GR62	Denim DE09	Kale KA12
							
Piano Black PI24	Slate SL27	Nori NO76	Peppercorn PE22	Shiraz SH63	Flint FL64	Midnight MI16	

Sizes

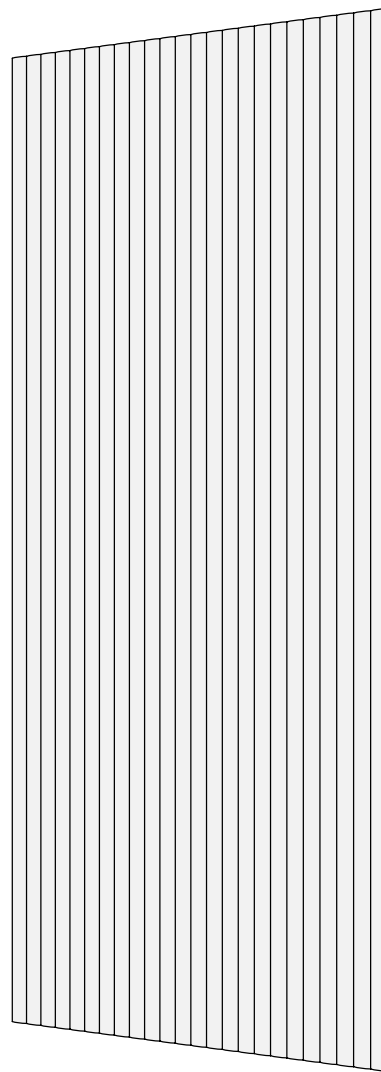
Standard Sizes 1200 x 2800mm

Thickness 12mm, 24mm

Plan



Perspective

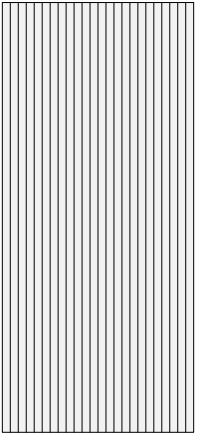


How to Specify

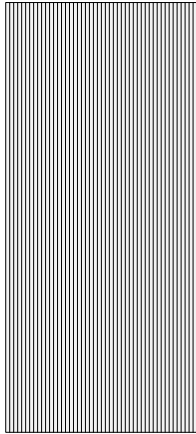
1. Choose Panel Pattern

2. Choose Colorways

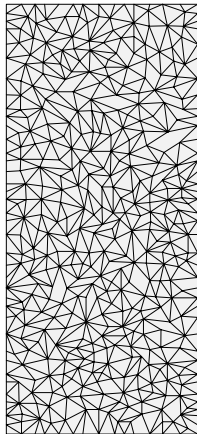
Select desired panel pattern. See recommended layouts for larger designs.



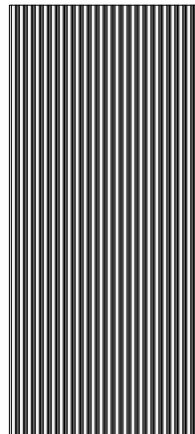
CELESTIAL A



CELESTIAL B
Previously called flute



KALOS



FURROWED
Previously called Pole

1. Choose Panel Pattern

2. Choose Colorways

See colorways on page 3.

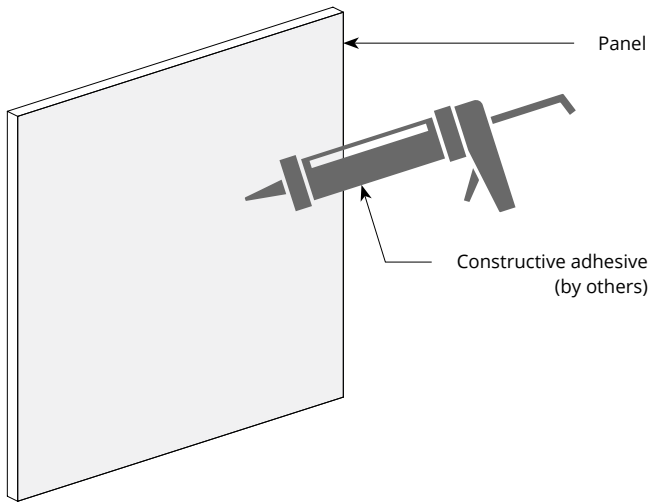


For questions or additional product information,
visit [acoufelt.com.au](https://www.acoufelt.com.au) or call 1800 626 462

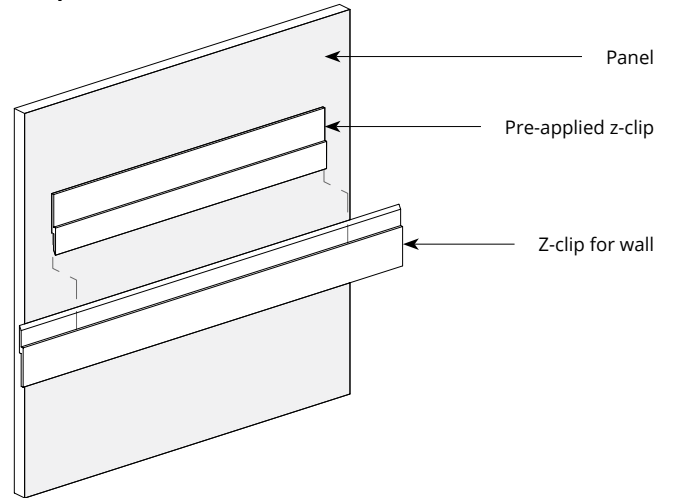
Quietform Wall Panels | March 2026

Mounting Methods

Construction adhesive



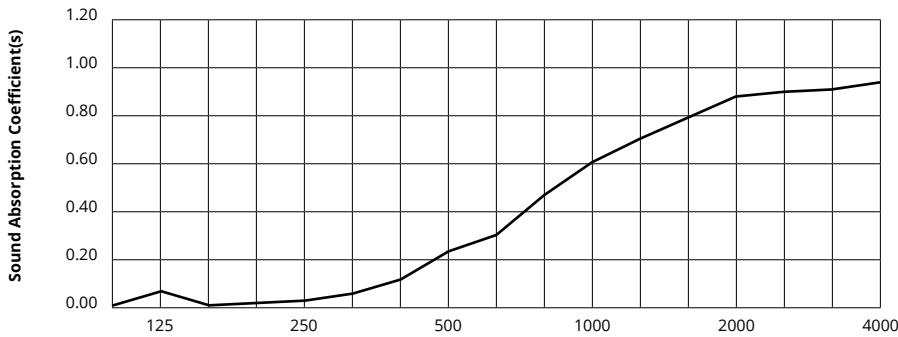
Z-clip wall mount



** For wall mount applications only.*

Acoustic Performance

Test Method	ISO 354-2006
Install Method	A
Rating Method	ISO 11654-2002
Test Results	NRC 0.45, no air gap NRC 0.60, 20mm air gap NRC 0.75, 50mm air gap SAA 0.43, no air gap SAA 0.61, 20mm air gap SAA 0.72, 50mm air gap




Frequency f (Hz)	125	250	500	1000	2000	4000	NRC
12mm	0.06	0.02	0.23	0.61	0.89	0.95	0.45

What is a Noise Reduction Coefficient (NRC)?

You'll find the NRC rating in the specifications of all of our products. This acronym stands for Noise Reduction Coefficient, and is expressed as a single number, a rating that describes the degree to which acoustic products can absorb sound.

You can use NRC values to understand the overall performance of our acoustic wall and ceiling products. The higher the NRC, the better the product is at soaking up the sound.

Performance Indices: Noise Reduction Coefficient (NRC) results represent the absorption coefficients measured at the one third octave bands at 125, 250, 500, 1000, 2000 and 4000 Hz rounded to the nearest 0.05. Acoustic testing has been performed according to the methods mentioned above. Customization of installation of the product could alter the results. Sound Absorption Average (SAA) indicates the absorption coefficient average for the twelve one-third octave bands ranging between 200 and 2500 Hz.

 For questions or additional product information, visit [acoufelt.com.au](https://www.acoufelt.com.au) or call 1800 626 462

Quietform Wall Panels | March 2026