

acoufelt  
making quiet



# Installation Guide

Screens

---

August 2021

# Suspended Top & Base

## Suspension Kit (FOR PURCHASE)

- 4 x Cable Grippers
- 4 x Adjustable Cable Grippers
- 4 x Stainless Steel Wire with ball

## Hardware Needed

### (NOT INCLUDED WITH INSTALLATION KITS)

- 4 x 8 gauge – 30mm long screws for securing panel to grippers
- 4 x 8 gauge 30mm long screws (optional depending if using plugs or clips)
- 4 x Plugs suitable for ceiling and floor substrate

## Tools Needed (NOT INCLUDED)

- Drill
- Level Bar
- Tape Measure
- Pliers

## Steps:

1. Measure and mark out the location of the cable grippers base 150mm from each end of the Screen (fig. a). Use the same location on the Screens as a reference point to mark out the corresponding ceiling plugs
2. Attaching the Cable Gripper to the Screen panel
  - a. Unscrew the base of the cable gripper from the barrel. Attached the base of the cable gripper with a screw into the top edge of the Screen panel. We recommend that you dip the screw into construction adhesive for maximum strength
  - b. Thread the wire through the end of the cable gripper barrel so that the ball sits within the barrel
  - c. Screw the barrel to the base of the cable gripper

3. Attaching the Adjustable Cable Gripper to Screen
  - a. Ensure that you have the appropriate plugs for floor and ceiling attachments
  - b. Unscrew the base of the adjustable cable gripper and attach screw the barrel onto the ceiling or floor by either screwing the barrel directly onto a ceiling clip or drill a screw through from the inside of the barrel into the surface (refer to fig. b)
  - c. Screw the barrel and end of the adjustable cable gripper together
  - d. Dispel the clutch of the adjustable cable gripper on the end and feed the other end of the wire through and out the hole in the side. Pull tight and cut off any excess
4. Continue to do this for all four corners of the Screen panel

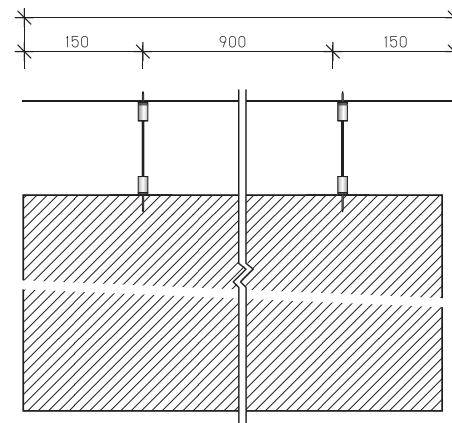
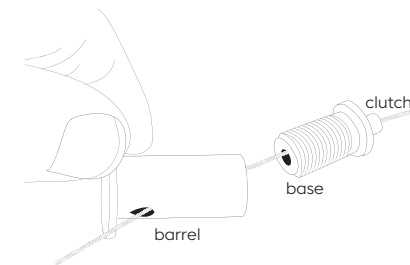
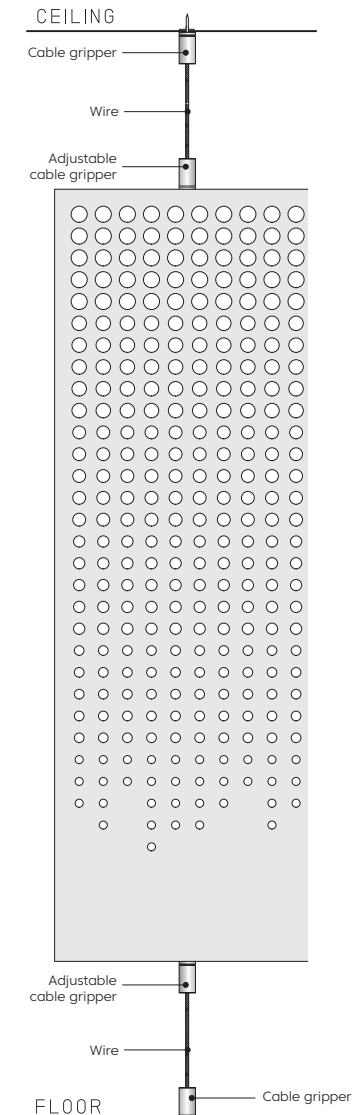
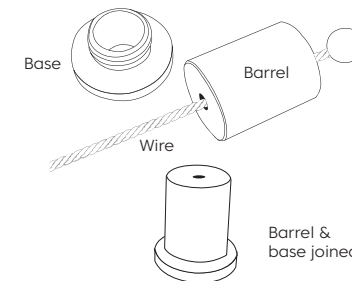


fig. a

## Adjustable cable gripper (fig. b)



## Cable gripper





# Direct Fixed Base & Suspended Top

## Direct Fixed Base & Suspended Top Kit (FOR PURCHASE)

- 2 x Adjustable Cable Grippers
- 2 x Stainless Steel Wire with ball
- 2 x U-clips
- 2 x Cable grippers
- 2 x 10g x 50mm screws
- 4 x 8g x 30mm screws

## Tools Needed (NOT INCLUDED WITH INSTALLATION KITS)

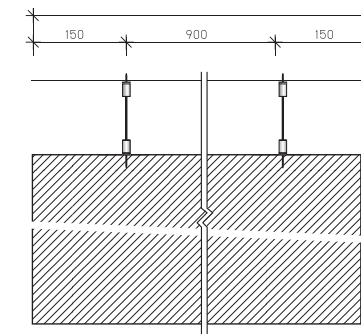
- Drill
- Tape Measure
- Pliers
- Level bar

## Steps:

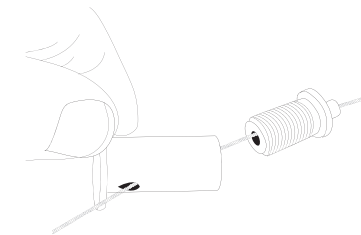
1. Measure and mark out the location of the cable grippers base 150mm from each end of the Screen (fig. a). Use the same location on the Screens as a reference point to mark out the corresponding ceiling plugs.
2. Attaching the Cable Gripper to the Screen panel
  - a. Unscrew the base of the cable gripper from the barrel. Attached the base of the cable gripper with a screw into the top edge of the Screen panel. We recommend that you dip the screw into construction adhesive for maximum strength.
  - b. Thread the wire through the end of the cable gripper barrel so that the ball sits within the barrel.
  - c. Screw the barrel to the base of the cable gripper.

3. Attaching the Adjustable Cable Gripper to Screen
  - a. Ensure that you have the appropriate plugs for floor and ceiling attachments.
  - b. Unscrew the base of the adjustable cable gripper and attach screw the barrel onto the ceiling or floor by either screwing the barrel directly onto a ceiling clip or drill a screw through from the inside of the barrel into the surface (refer to fig. b).
  - c. Screw the barrel and end of the adjustable cable gripper together.
  - d. Dispel the clutch of the adjustable cable gripper on the end and feed the other end of the wire through and out the hole in the side. Pull tight and cut off any excess.
4. Screw the U-Clip to the floor and secure with screws that have been dipped in construction adhesive for maximum adhesion. Once secured, slot the Screen into the U-Clips. Your Screen should now be attached to the floor.
5. Once your Screen is attached to the floor, return to the top of the Screen to attach the wire to the ceiling. Thread the wire into the adjustable cable gripper connected to the ceiling by depressing the nozzle, and releasing when the desired length is met.
6. Screw the ceiling adjustable cable gripper into its base, measure the wire length and make any last changes to the wire tension. Your Screen should now be suspended from the ceiling.

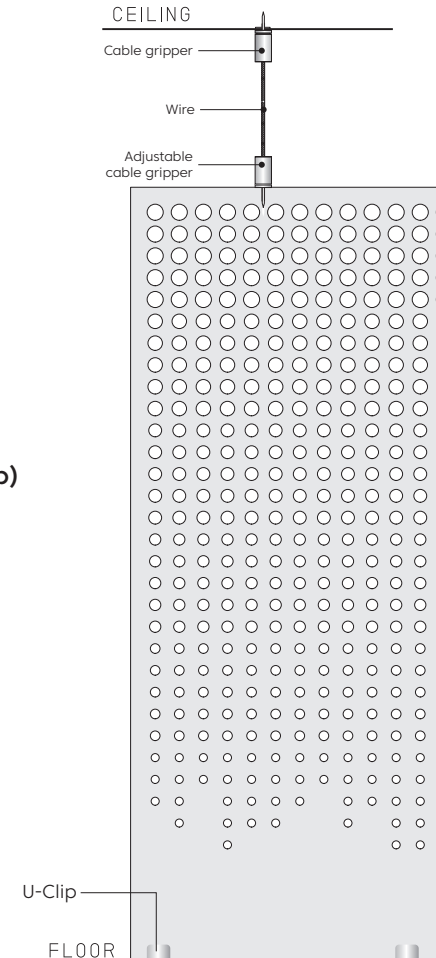
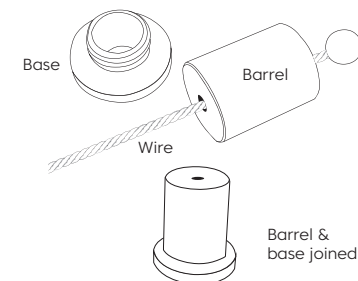
fig. a



Adjustable cable gripper (fig. b)



Cable gripper



# Sliding System

## Tools & hardware:

- 2 x 3G screws
- 2 x 12G screws
- 2 x wing toggle
- Drill
- Tape measure

## Sliding Rail Set

- 2 x hanging wheel sets
- 1 x rail

## Steps:

1. Prepare the ceiling mounting surface for installation by marking the position of the rail that the Screen will be hung to. Drill holes into the ceiling where the rail will be attached and insert corresponding wing toggles

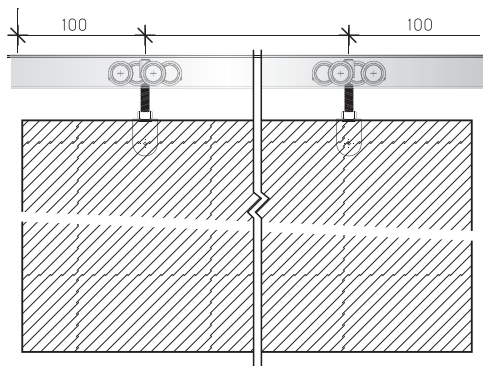


fig. a

2. Secure the rail into the ceiling via the wing toggles. Ensure the screw is flush in the groove and doesn't impede the movement of the hanging wheel set
3. Measure and install the U-Clips to the top of the Screen, 100mm in from each edge of the Screen (fig a). Use a screw to fix the U-Clip to the screen. We recommend that you dip the screw into construction adhesive to ensure maximum adhesion
4. Attach U-Clip to the hanging wheel set using the bolt and nut (fig b). Lift the Screen up to the ceiling and insert into the hanging wheel set. The Screen should now be able to slide along the rail
5. Install the fitting stopper at the end of the rail

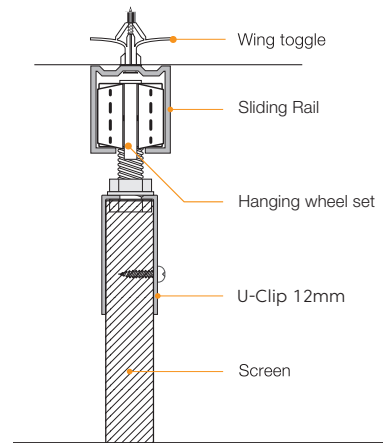


fig. b

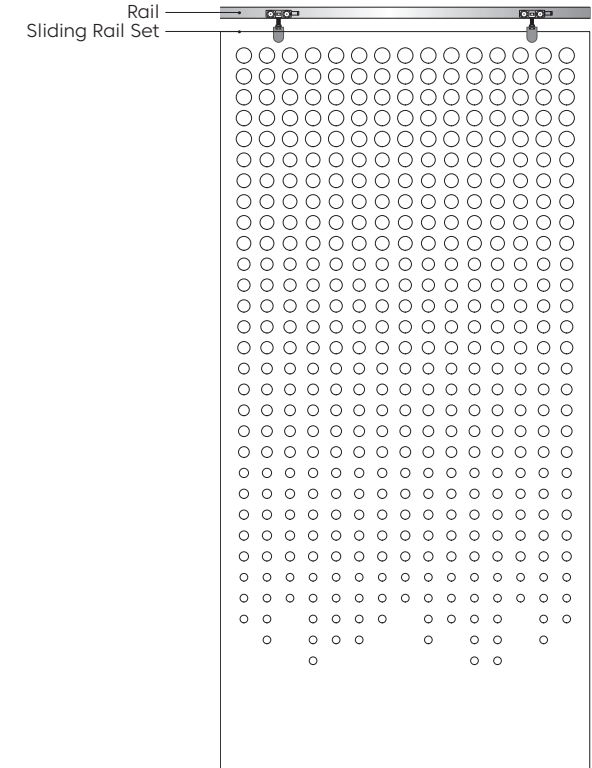


fig. c

acoufelt  
making quiet

[acoufelt.co.uk](http://acoufelt.co.uk)