



Seam

Wall Panels

Premier Collection

Combine an elegant, architectural look with high-performance sound absorption. Seam's strong vertical lines elevate and elongate, making a space feel taller and well-structured. Seam's specifying flexibility gives you the latitude to create a one-of-a-kind, inspired space.

Specifications

Surface	Wall
Material	FilaSorb™ polyester felt
Weight	12mm, 2400gsm 24mm, 4800 gsm
Standard Sizes	Width: 305-1220mm Height: 610 - 2800mm Slat depth: 50 & 55mm



Seam Wall Panel in Block with Midnight Backer Panel and Multi-colored



Seam Wall Panel in Igloo with White Backer Panel and Pistachio

Technical

NRC Rating	12mm* 0.45, no air gap 0.54, 12mm air gap 0.64, 20mm air gap 24mm* 0.60, no air gap
Fire Test	AS ISO 9705:2033 According to AI 5637.7:2015 requirements Group 1 0.93
Water Sorption	ASTM C1104-2019 (A Modified) Water sorbed by weight: 0.20% (based on a 12mm thick panel)
Colorfastness	ISO 105-B02, 6-7

* Test results available upon request.

Details

Lead Time	Refer to Product Lead Time Matrix
Origin	Australia
Warranty	Product: 20 years* Colorfastness: 20 years*

* Conditions apply

Environmental

Recycled Content	Minimum 60%
Energy	Generated using 40% solar energy
Indoor Air Quality	VOC less than/equal to 0.5mg/m3
Recyclable	100%*
Certifications	Declare Certification - LBC Red List Free (third-party verified) SCS Global Indoor Advantage Gold

* PET is recyclable through participating partners.



For questions or additional product information, visit [acoufelt.com.au](https://www.acoufelt.com.au) or call 1800 626 462

Seam Wall Panels | March 2026

							
White WH12	Milkyway MI74	Ivory IV11	Pearl PE21	Valentine VA70	Quartz QU67	Stonewash ST72	Sea Salt SE57
							
Platinum PL04	Almond AL55	Pistachio PI25	Turmeric TU60	Flamingo FL61	Amethyst AM69	Periwinkle PE23	Peacock PE20
							
Metal ME03	Mushroom MU75	Celery CE65	Wheat WH68	Peach PE19	Lilac LI13	Marine MA15	Sencha SE58
							
Grey GR02	Umber UM54	Wasabi WA29	Popcorn PO26	Currant CU59	Berry BE06	Azure AZ05	Oregano OR18
							
Charcoal CH01	Walnut WA56	Eucalyptus EU71	Carrot CA08	Loganberry LO77	Granite GR62	Denim DE09	Kale KA12
							
Piano Black PI24	Slate SL27	Nori NO76	Peppercorn PE22	Shiraz SH63	Flint FL64	Midnight MI16	



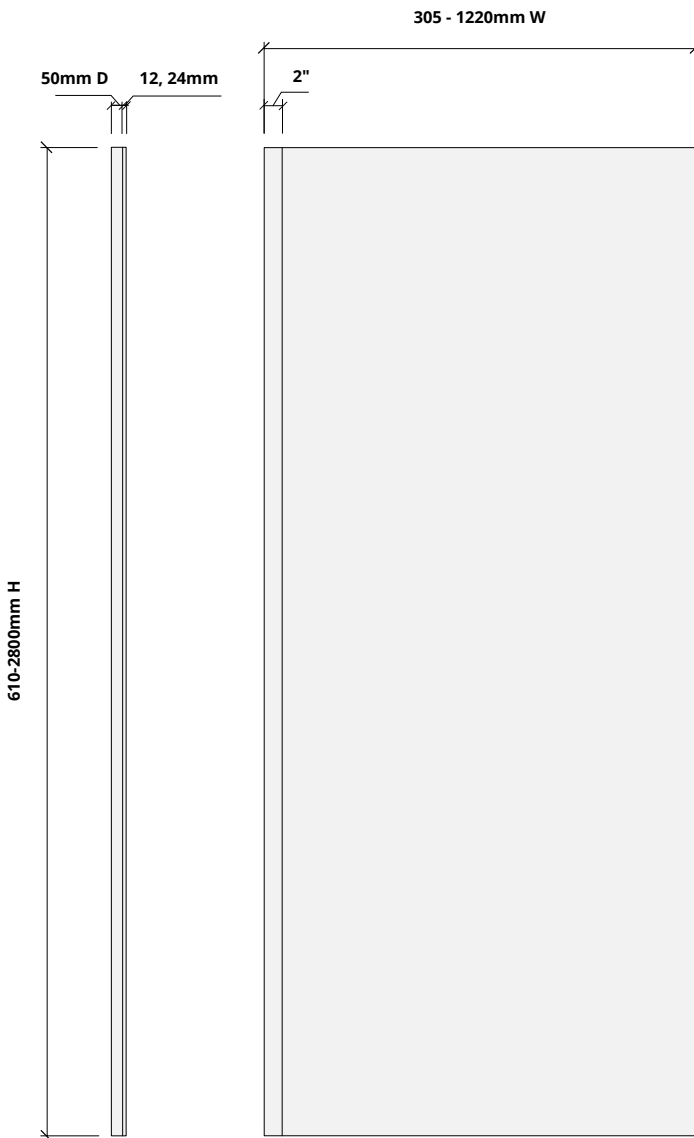
For questions or additional product information,
visit acoufelt.com.au or call 1800 626 462

Seam Wall Panels | March 2026

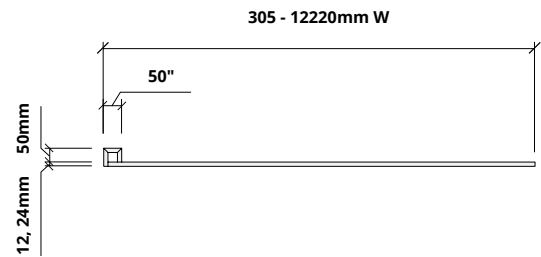
Sizes: Block

Standard Sizes Width: 305-1220mm
 Height: 610 - 2800mm
 Slat depth: 50mm

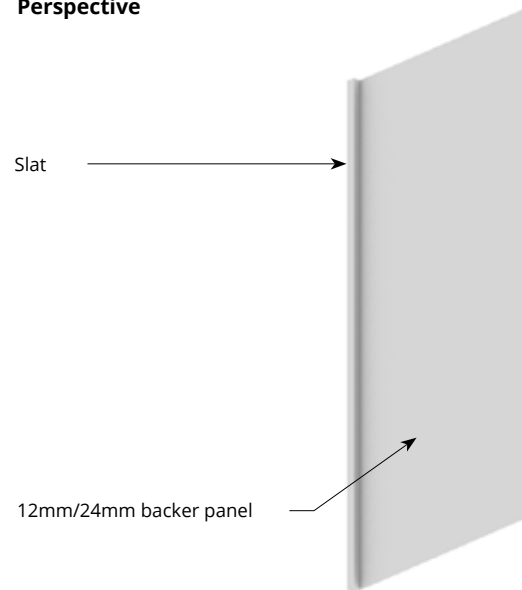
Elevations



Plan



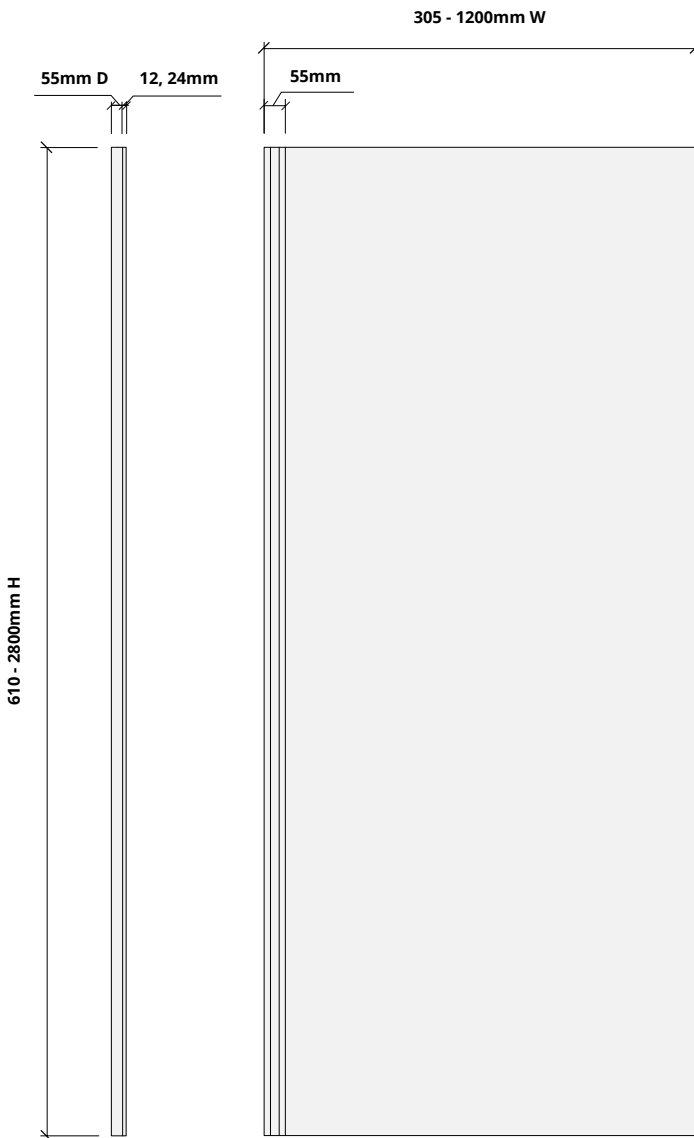
Perspective



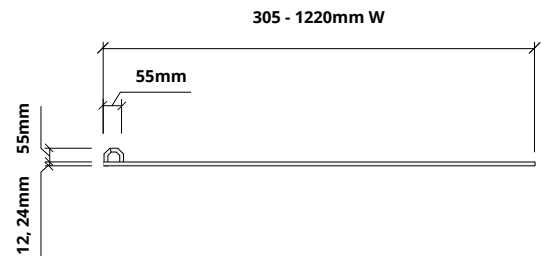
Sizes: Igloo

Standard Sizes Width: 305-1220mm W
 Height: 610 - 2800mm H
 Slat depth: 55mm D

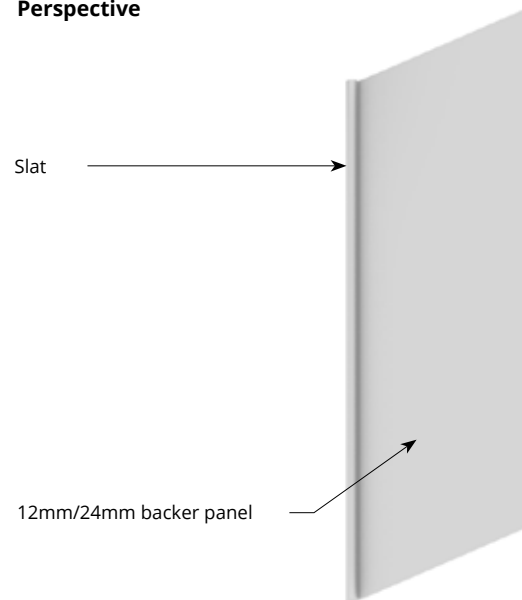
Elevations



Plan



Perspective



How to Specify

1. Choose Panel Height

2. Choose Panel Design

3. Choose Colorway

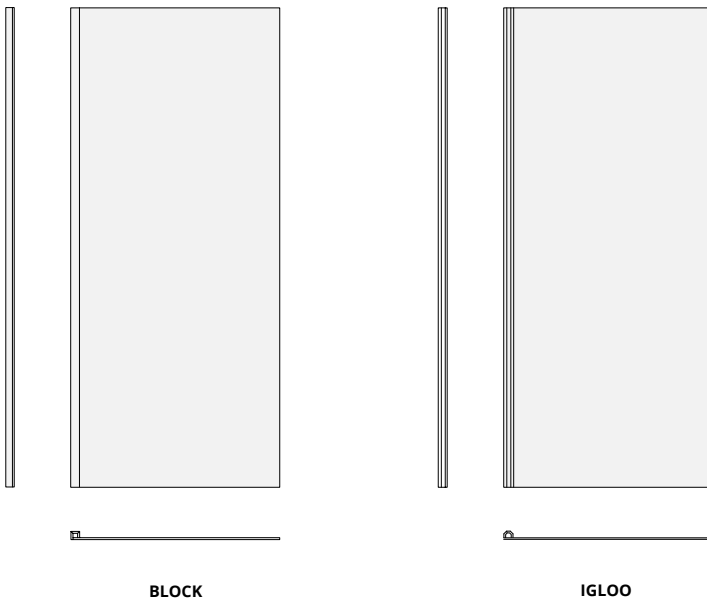
Determine preferred width and height.

1. Choose Panel Height

2. Choose Panel Design

3. Choose Colorway

Select desired panel pattern and size that best fits your project's design.



1. Choose Panel Height

2. Choose Panel Design

3. Choose Colorway

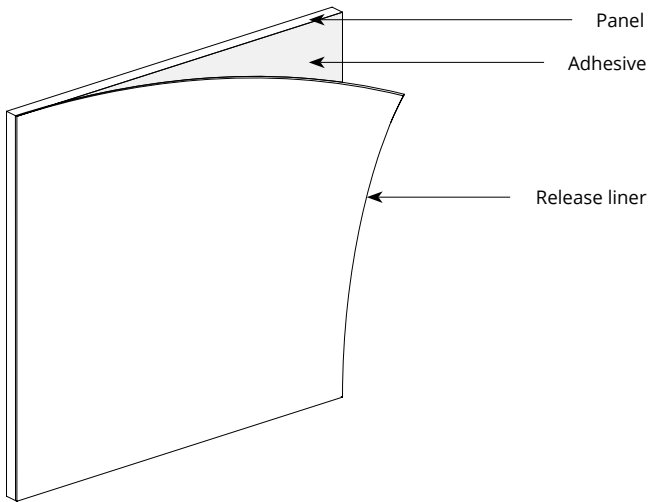
Select a color for the backer panel and one or multiple colors for block or seams. See colorways on page 3.



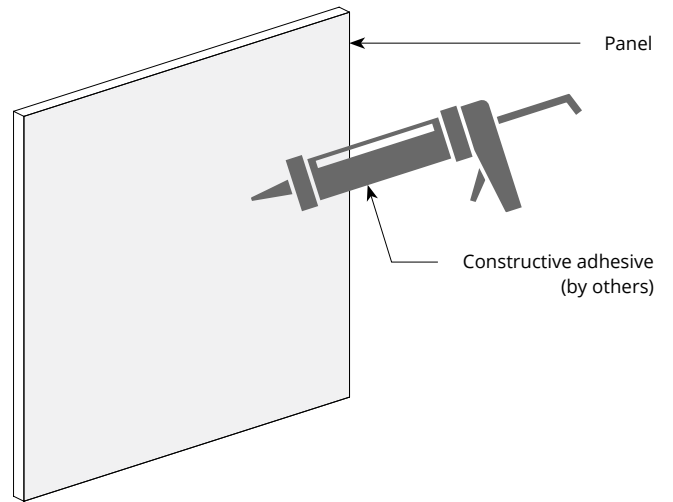
Seam Igloo in White and Pistachio

Mounting Methods

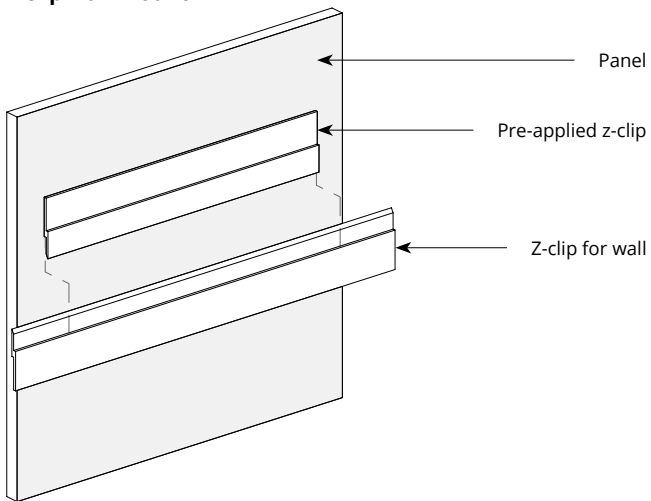
Adhesive backing



Construction adhesive



Z-clip wall mount



* For wall mount applications only.

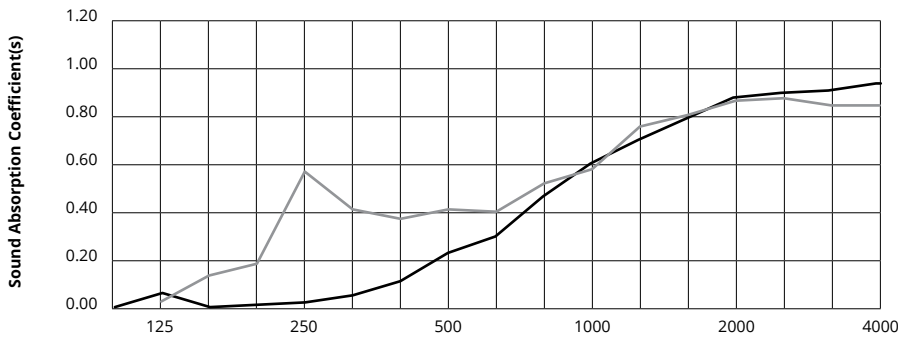


For questions or additional product information,
visit [acoufelt.com.au](https://www.acoufelt.com.au) or call **1800 626 462**

Seam Wall Panels | March 2026

Acoustic Performance

Test Method	ASTM C423-09a
Install Method	A
Rating Method	ISO 11654-2002
Test Results	<p>12mm</p> <p>0.45, no air gap 0.54, 12mm air gap 0.64, 20mm air gap SAA 0.43, no air gap SAA 0.54, 12mm air gap SAA 0.63, 20mm air gap</p> <p>24mm</p> <p>0.60, no air gap SAA 0.55, no air gap</p>




Frequency f (Hz)	125	250	500	1000	2000	4000	NRC
12mm	0.06	0.02	0.23	0.61	0.89	0.95	0.45
24mm	0.02	0.57	0.41	0.58	0.87	0.85	0.60

What is a Noise Reduction Coefficient (NRC)?

You'll find the NRC rating in the specifications of all of our products. This acronym stands for Noise Reduction Coefficient, and is expressed as a single number, a rating that describes the degree to which acoustic products can absorb sound.

You can use NRC values to understand the overall performance of our acoustic wall and ceiling products. The higher the NRC, the better the product is at soaking up the sound.

Performance Indices: Noise Reduction Coefficient (NRC) results represent the absorption coefficients measured at the one third octave bands at 125, 250, 500, 1000, 2000 and 4000 Hz rounded to the nearest 0.05. Acoustic testing has been performed according to the methods mentioned above. Customization of installation of the product could alter the results. Sound Absorption Average (SAA) indicates the absorption coefficient average for the twelve one-third octave bands ranging between 200 and 2500 Hz.

 For questions or additional product information, visit acoufelt.com.au or call **1800 626 462**

Seam Wall Panels | March 2026