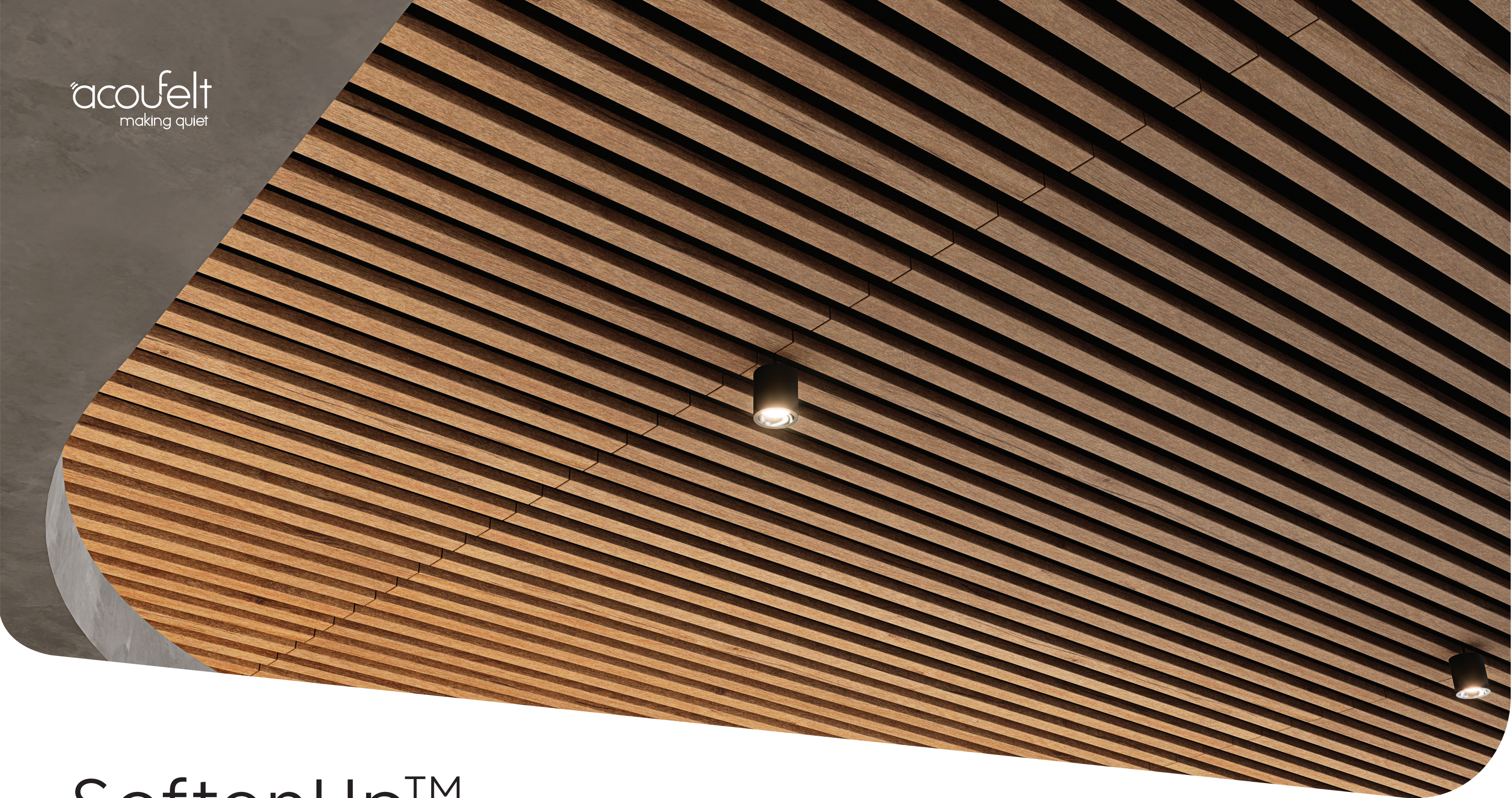


acoufelt
making quiet









SoftenUp™ Ceiling System

Product Detail

Application	Ceiling
Composition	100% polyester
Material	FilaSorb™
Recycled content	60% min
Weight	7.92kg/m ² +/- 10%
Thickness	12mm +/- 10%
Dimensions	600 x 600mm 600 x 1200mm

Sustainability

 Made from 60% min. recycled content	 Total VOC's less than 0.5 mg/m ³ (3 rd Party Verified)
 Generated using 40% solar energy	 Recyclable at end-of-life
 Declare Approved (3PV) for FilaSorb Printed Panels	 Indoor Advantage Gold Certified.



Technical Data

Fire test method	EN 13501-1: 2019
Classification	B-s1, d0
Water vapour sorption method	ASTM C1104-2019 (Procedure A Modified)
Water sorbed by weight	0.20% (results based on a 12mm thick panel)
Total VOC test method	SCS-EC10.3-2014 v4.0 meeting standard CDPH/EHLB Standard Method v.1.2-2017
Total VOC result	≤ 0.5mg/m ³
Colorfastness test method	ISO 105-B02
Rating	6-7

Guarantees

Lead time	4-6 weeks
Origin	United Kingdom
Warranty against defects	20 years*
Colorfastness warranty	20 years* <small>*conditions apply</small>

Acoustic Performance

Test method

AS ISO 354-2006: Acoustic - Measurement of sound absorption in a reverberation room

Installation method

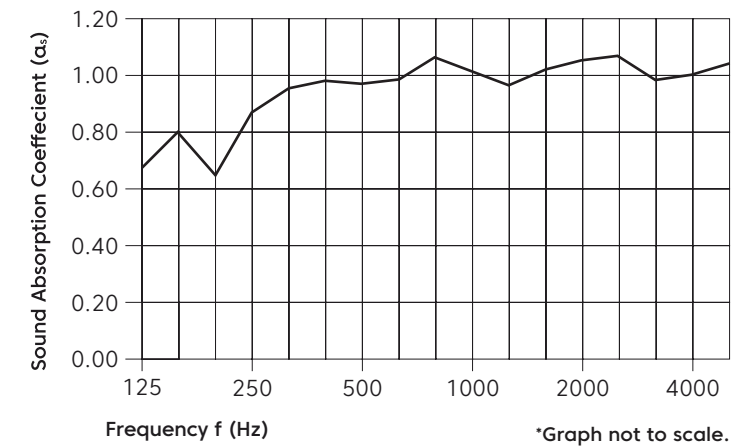
Type "E-400" Mounting, tested with 400mm air gap

Rating method

ISO 11654-1997: Acoustic – sound absorbers for use in buildings – rating of sound absorption

Test results

NRC 0.95 400mm air gap | aw 0.96, Class A

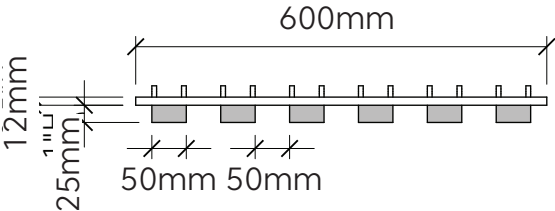


Frequency (Hz)	125	250	500	1000	2000	4000	NRC
12mm α _w	0.67	0.86	0.96	1.02	1.04	1.00	0.95

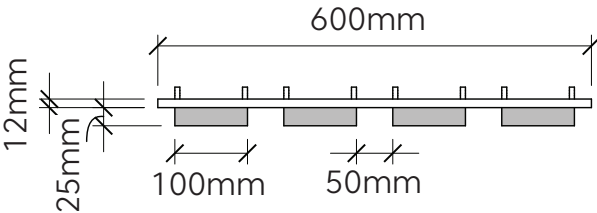
Performance Indices: **Noise Reduction Coefficient (NRC)** results represent the absorption coefficients measured at the one third octaves bands at 125, 250, 500, 1000, 2000 and 4000 Hz rounded to the nearest 0.05. Acoustic testing has been performed according to the methods mentioned above. Customisation of installation of the product could alter the results. **Sound Absorption Average (SAA)** indicates the absorption coefficient average for the twelve one-third octave bands ranging between 200 and 2500 Hz

Plateau Slat Profile

50 x 25mm

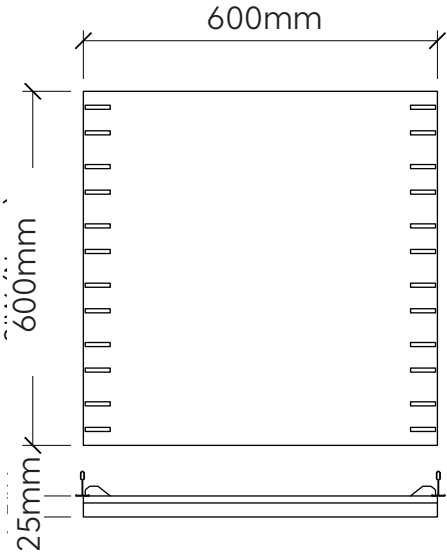


100 x 25mm

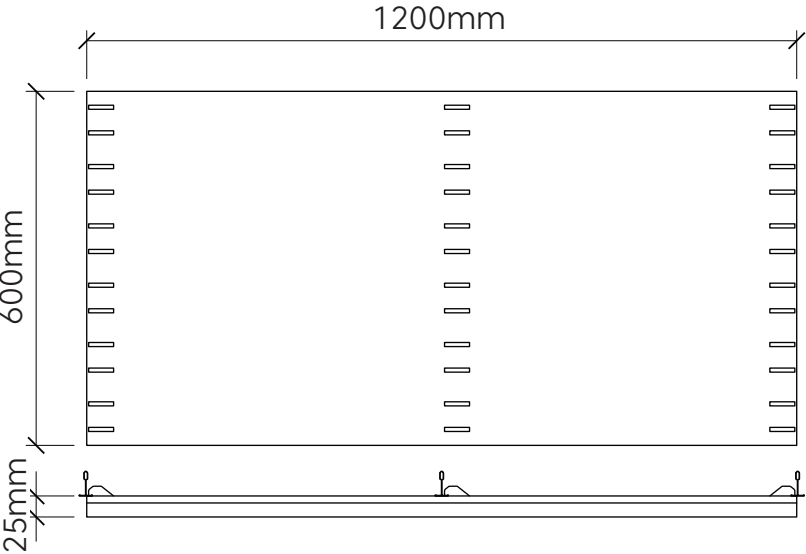


Backer Panel Size

600 x 600mm

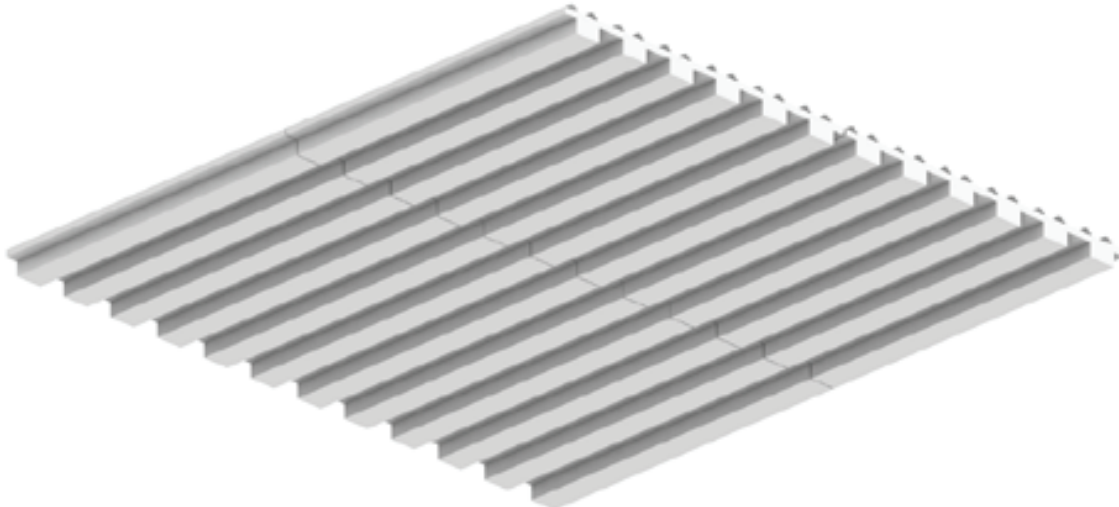


600 x 1200mm

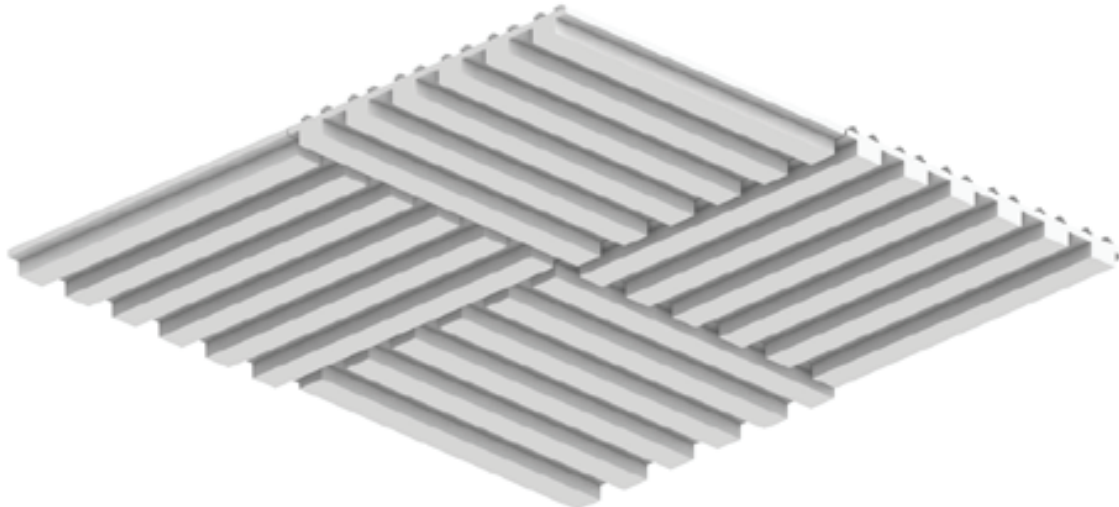


Plateau Recommended Layouts

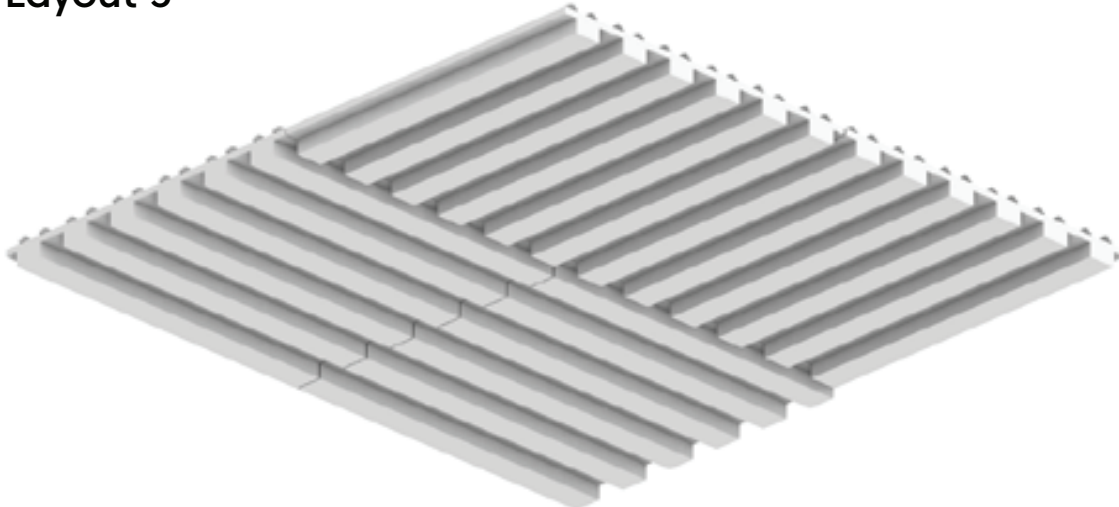
Layout 1



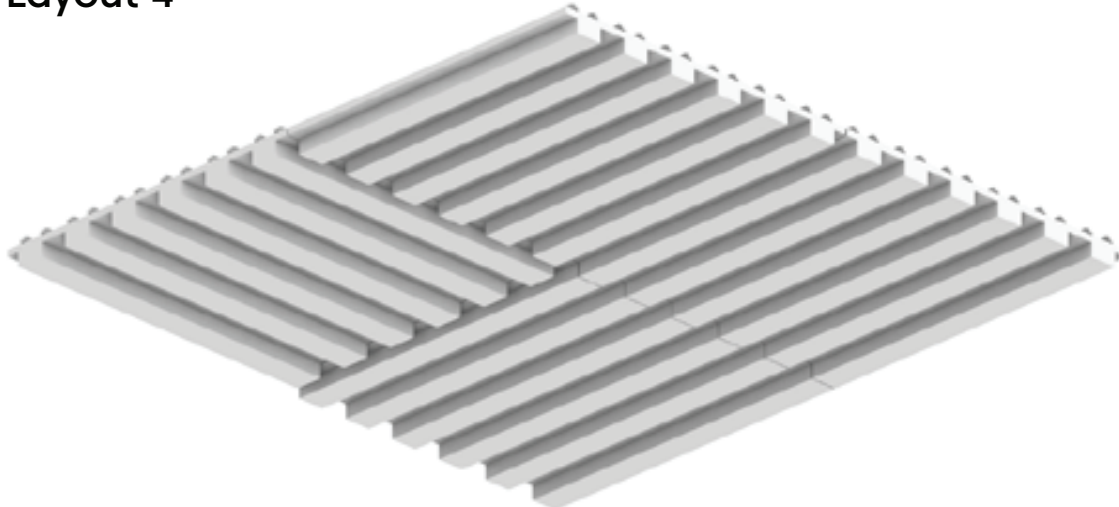
Layout 2



Layout 3

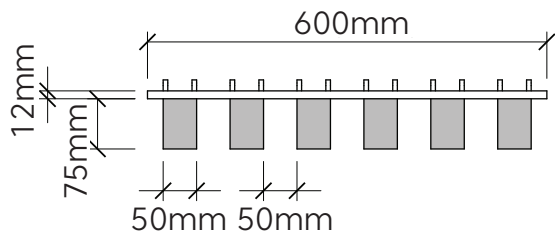


Layout 4

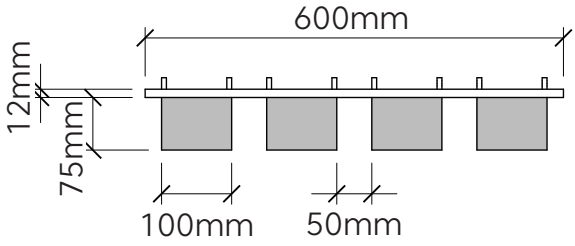


Ridge Slat Profile

50 x 75mm

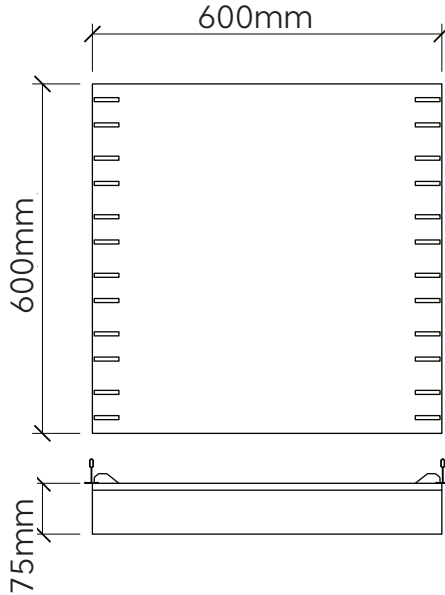


100 x 75mm

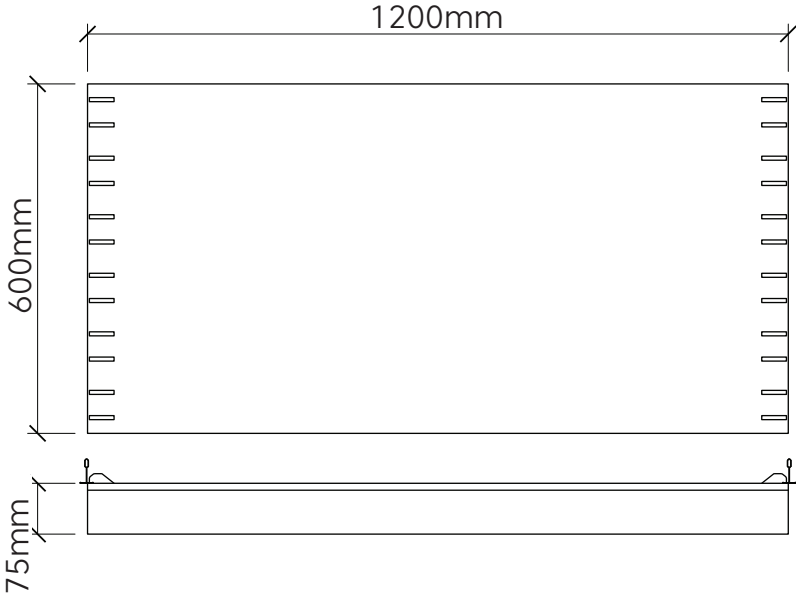


Backer Panel Size

600 x 600mm

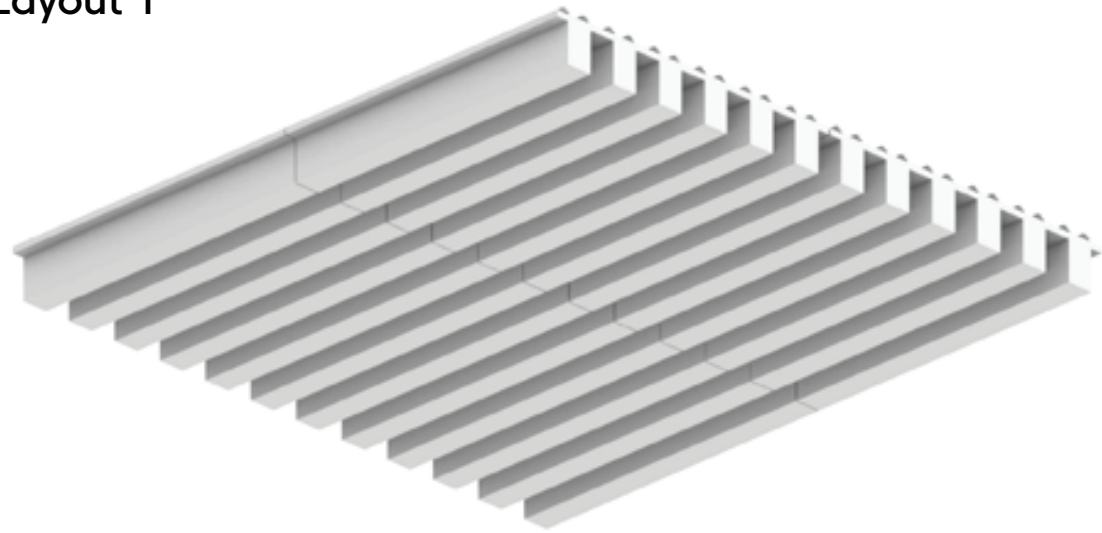


600 x 1200mm

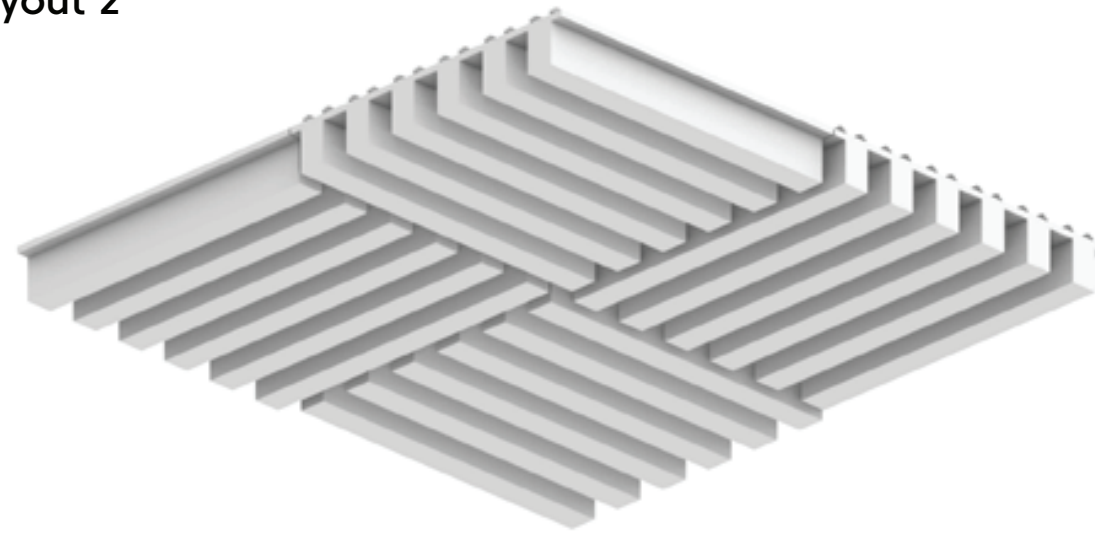


Ridge Recommended Layouts

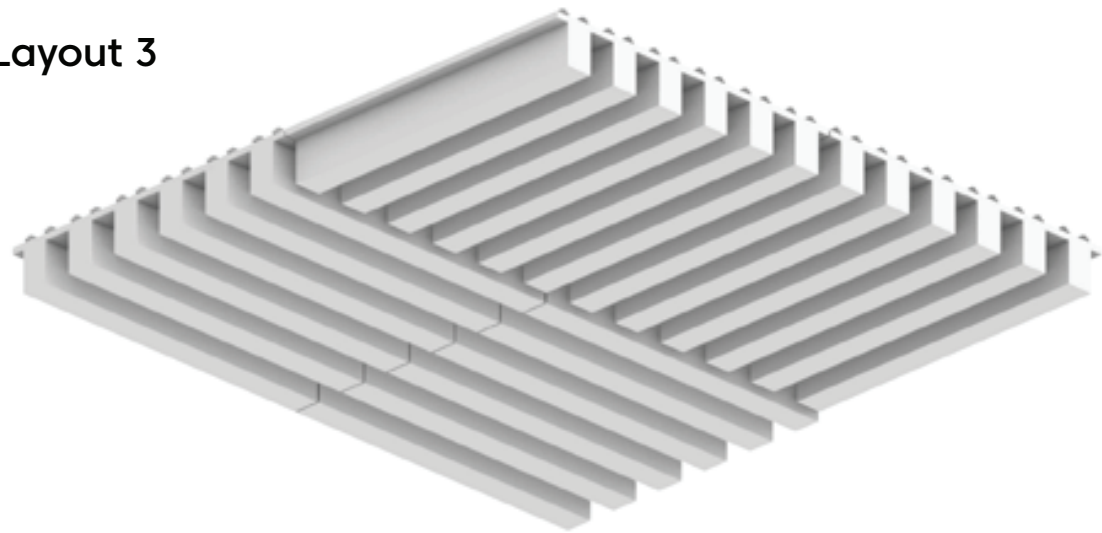
Layout 1



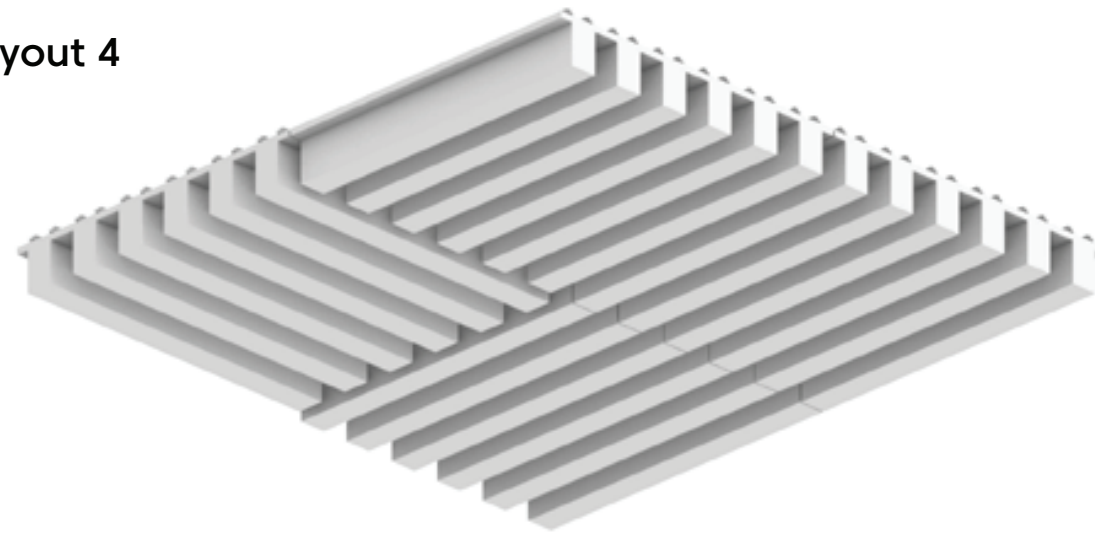
Layout 2



Layout 3

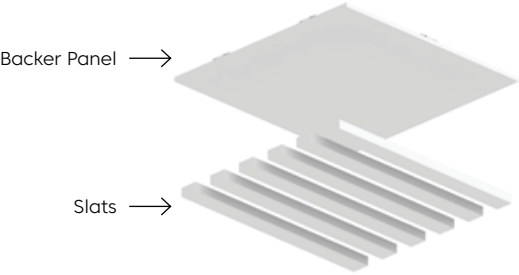
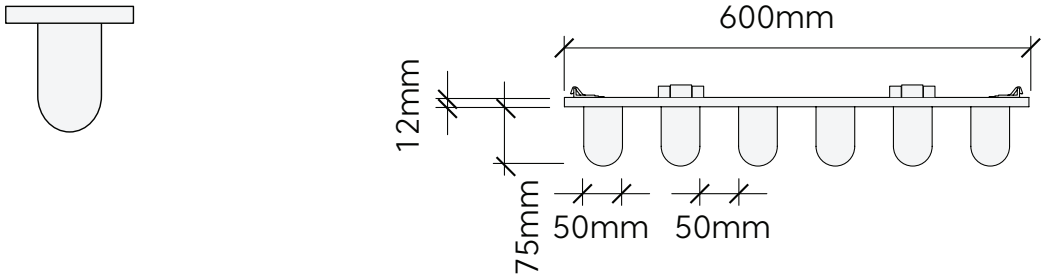


Layout 4



Foothill Slat Profile

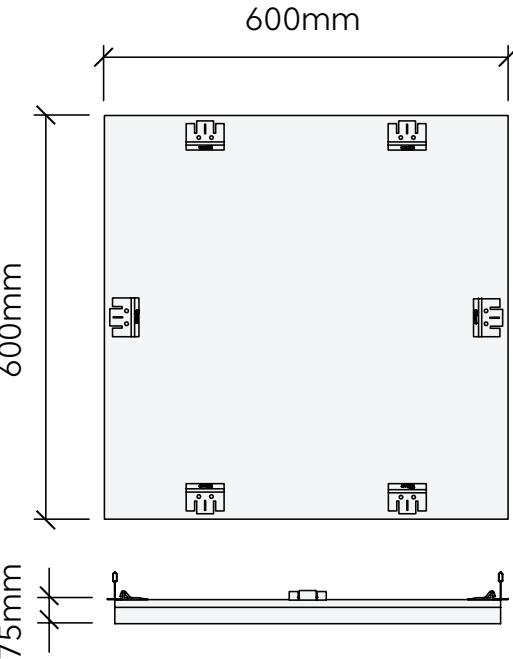
50 x 75mm



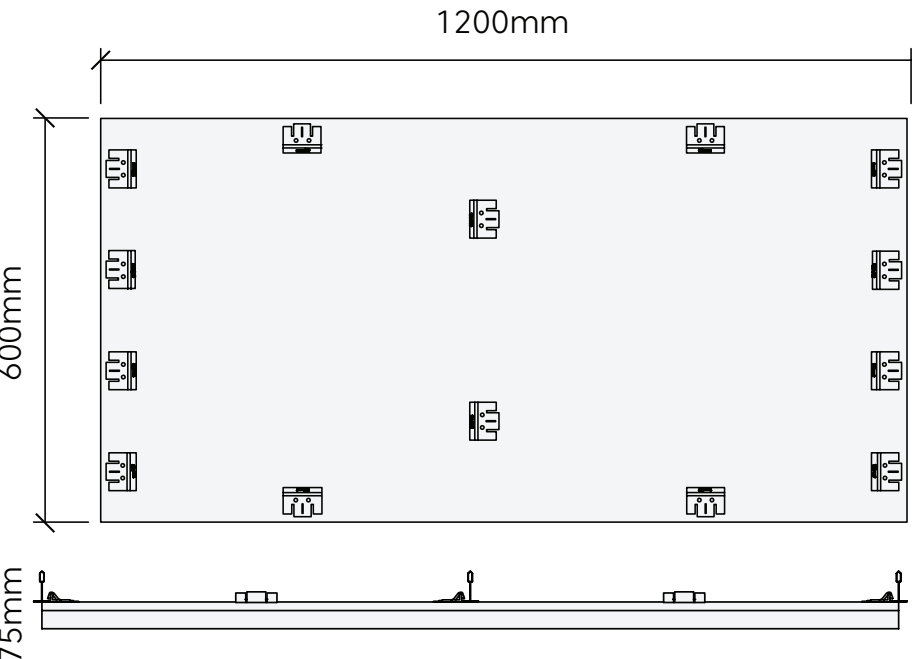
Select one colorway for your backer panel and slat

Backer Panel Size

600 x 600mm

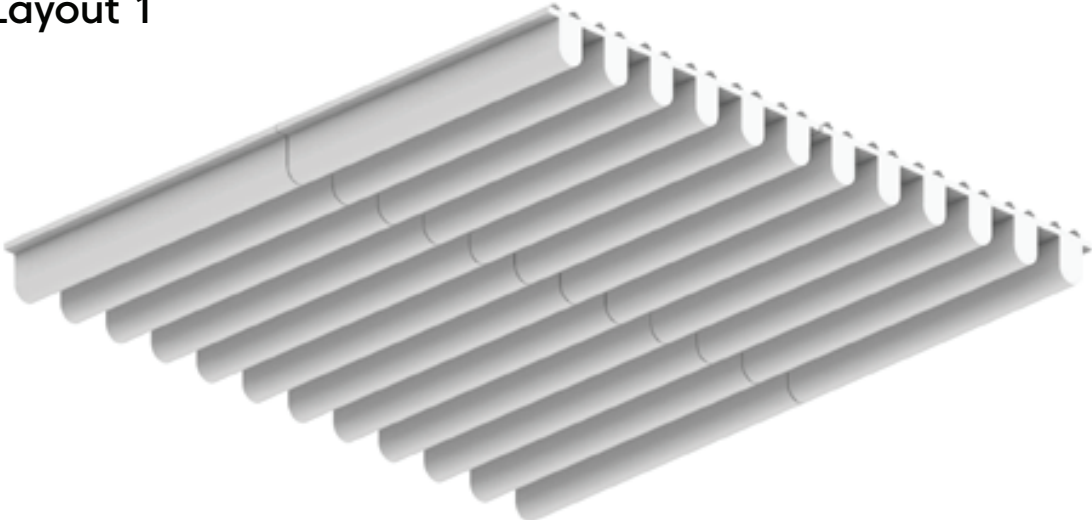


600 x 1200mm

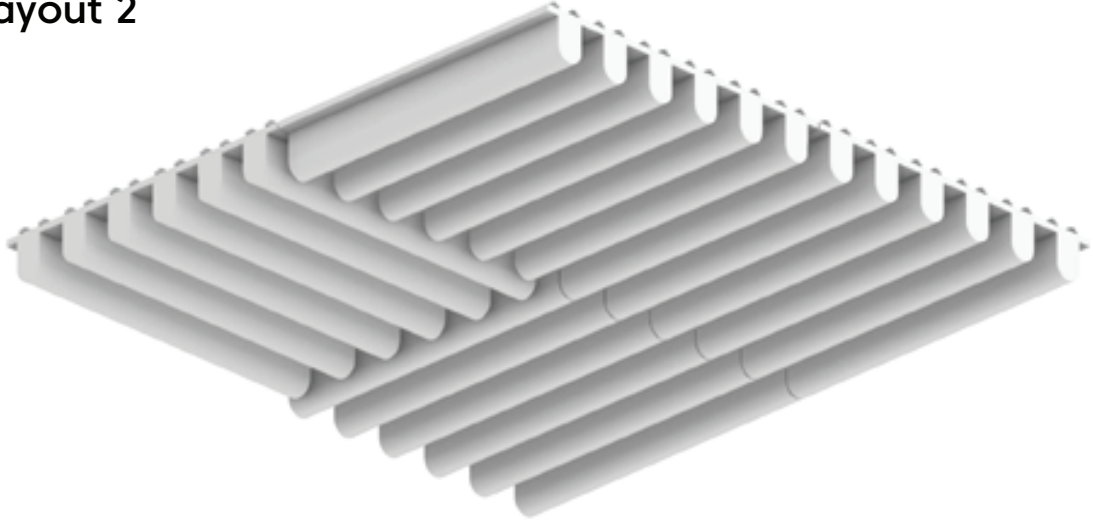


Foothill Recommended Layouts

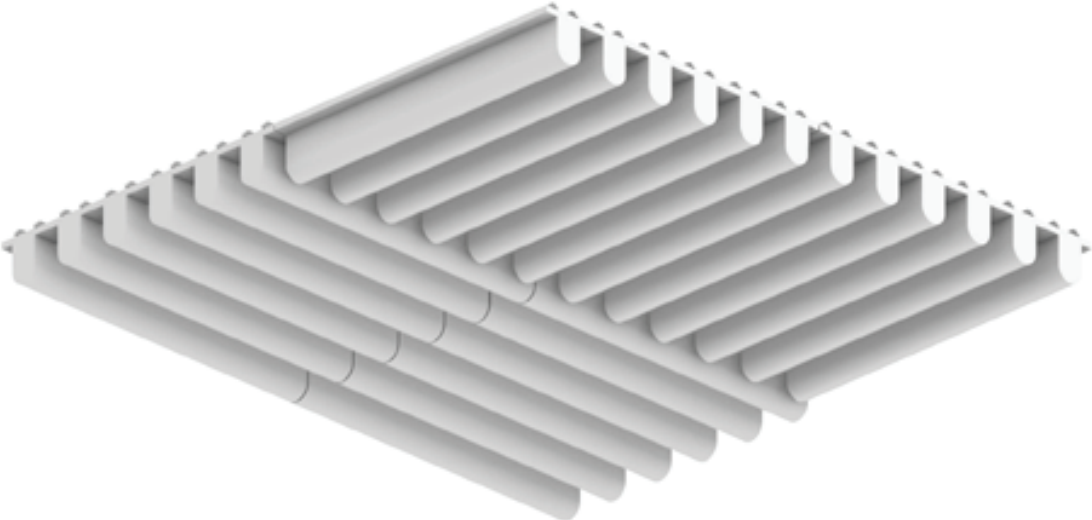
Layout 1



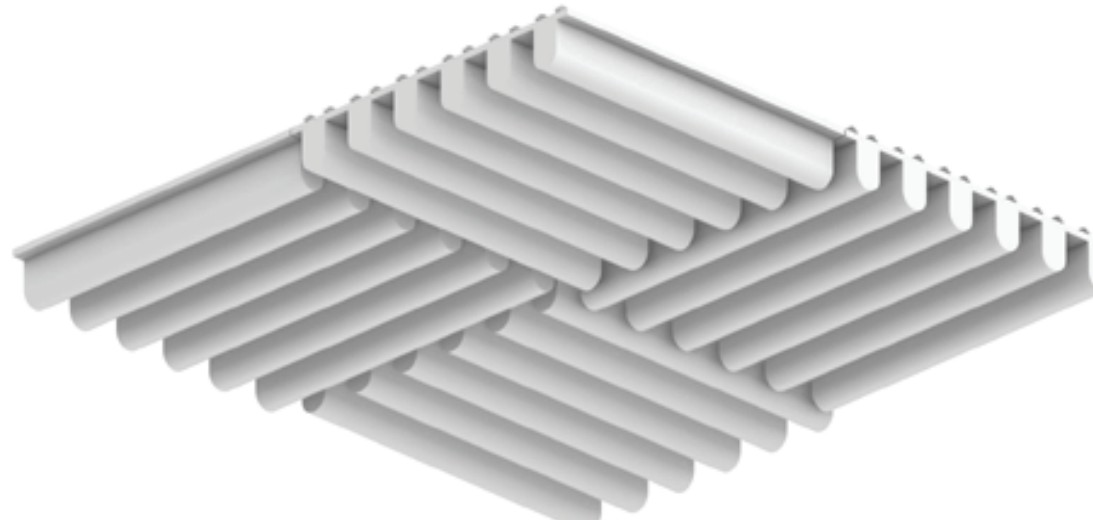
Layout 2



Layout 3

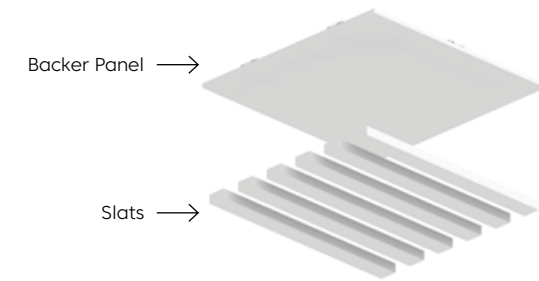
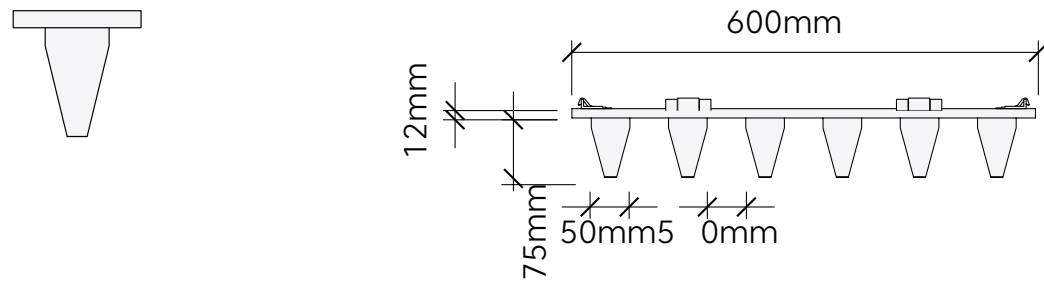


Layout 4



Peak Slat Profile

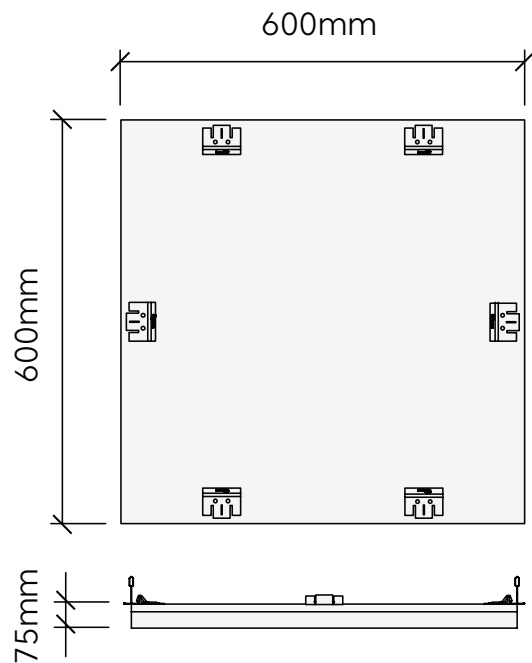
50 x 75mm



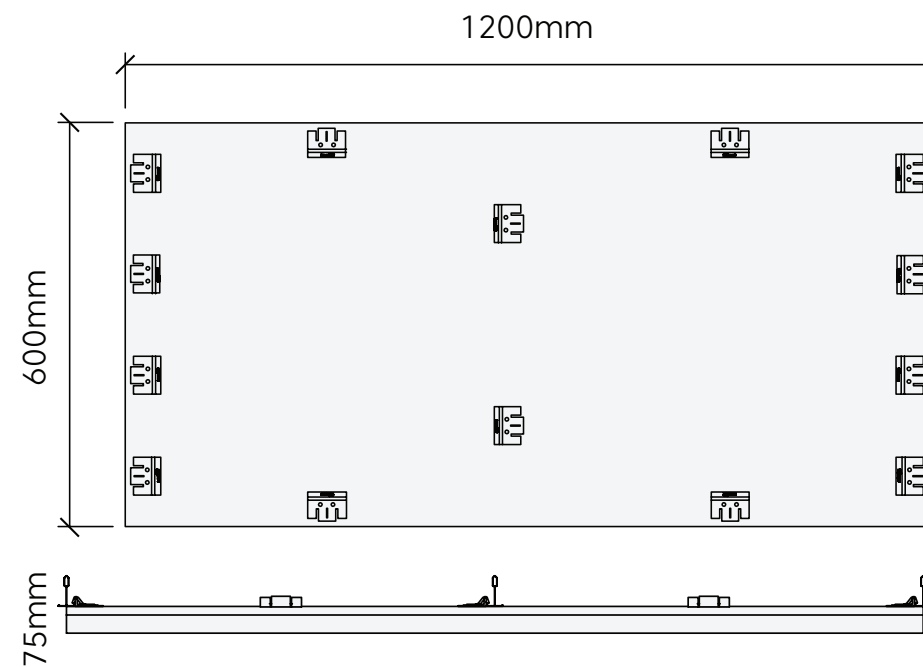
Select one colorway for your backer panel and slat

Backer Panel Size

600 x 600mm

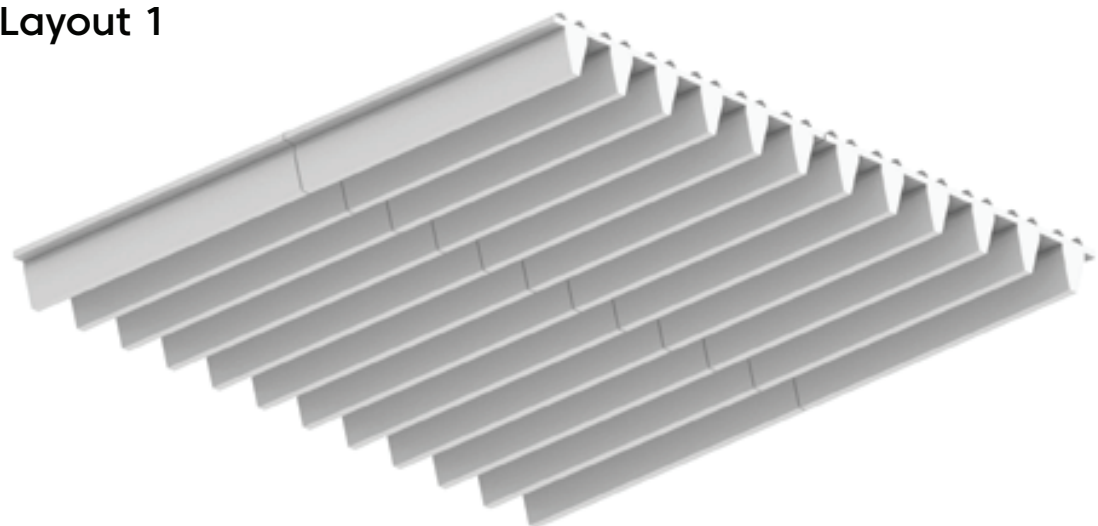


600 x 1200mm

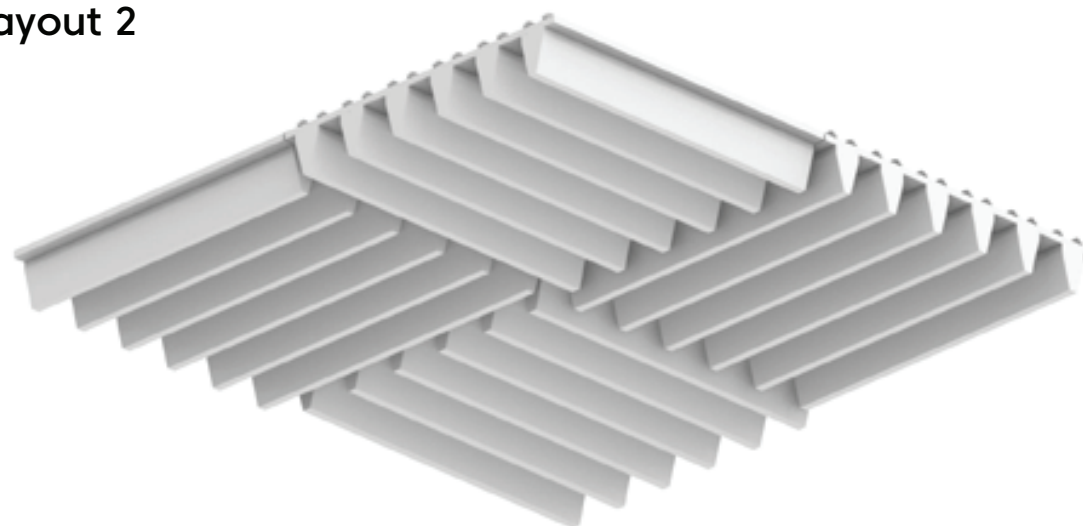


Peak Recommended Layouts

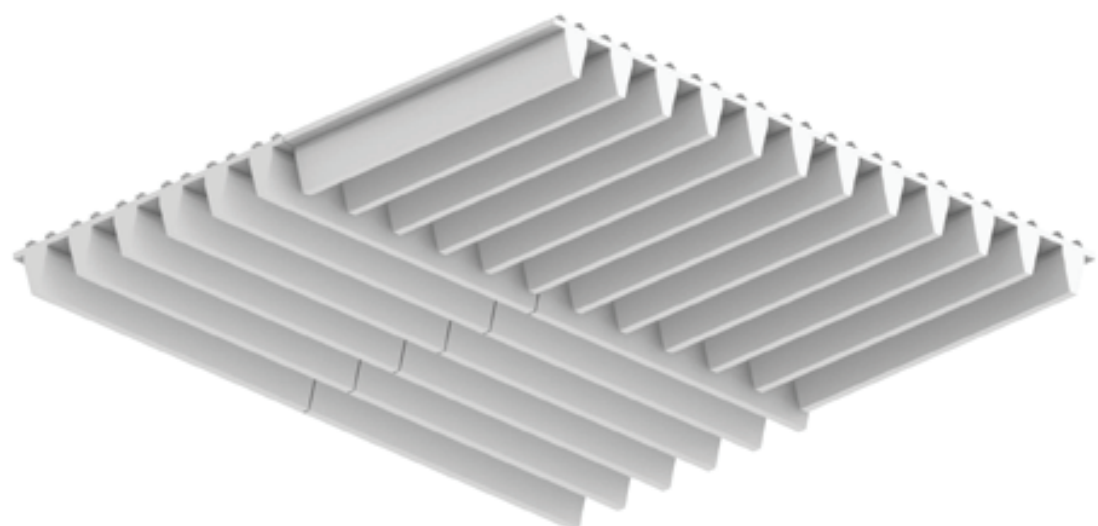
Layout 1



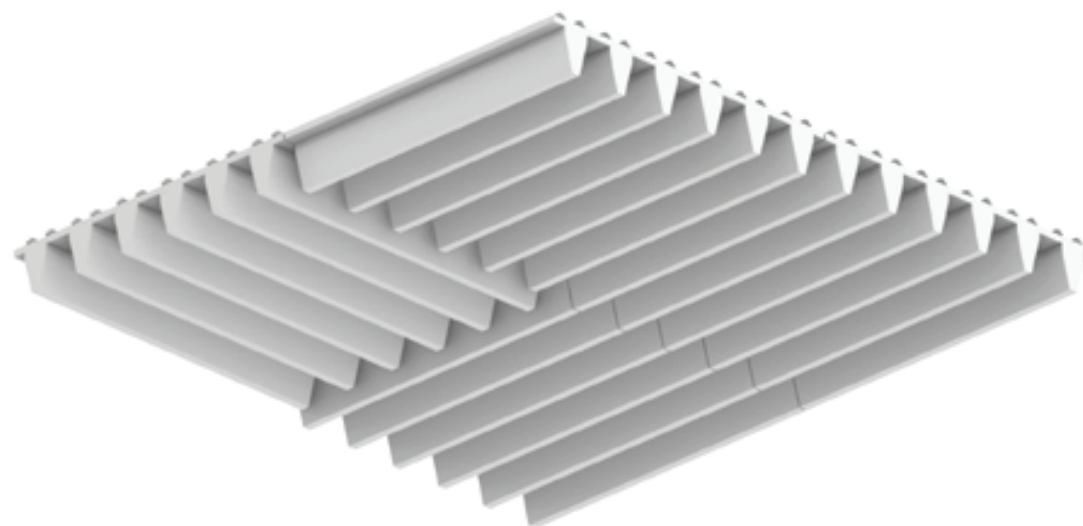
Layout 2



Layout 3

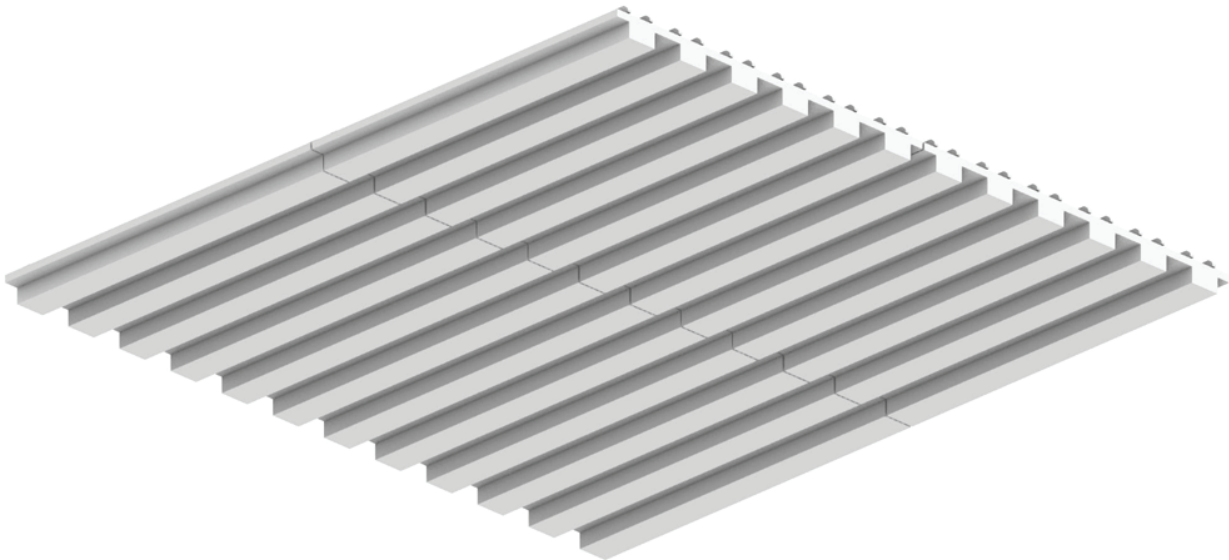


Layout 4

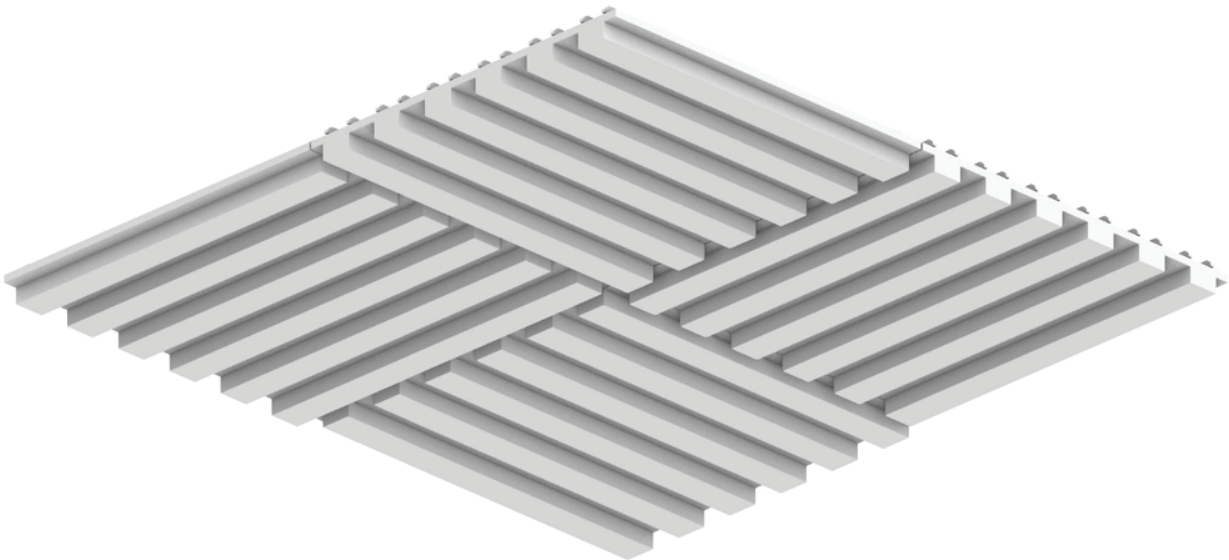


Recommended Layout

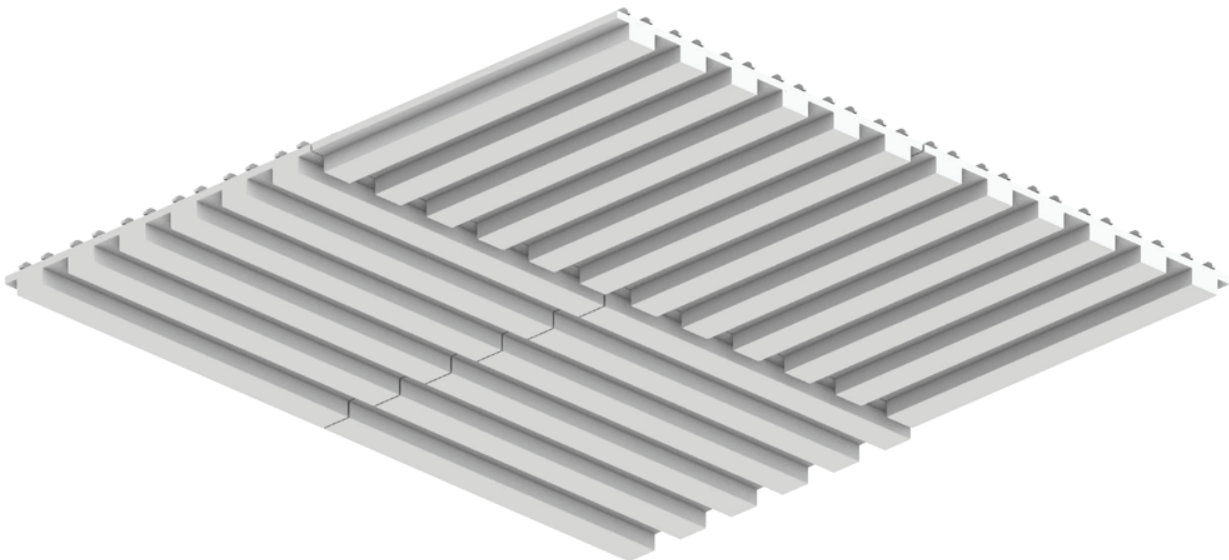
Layout 1



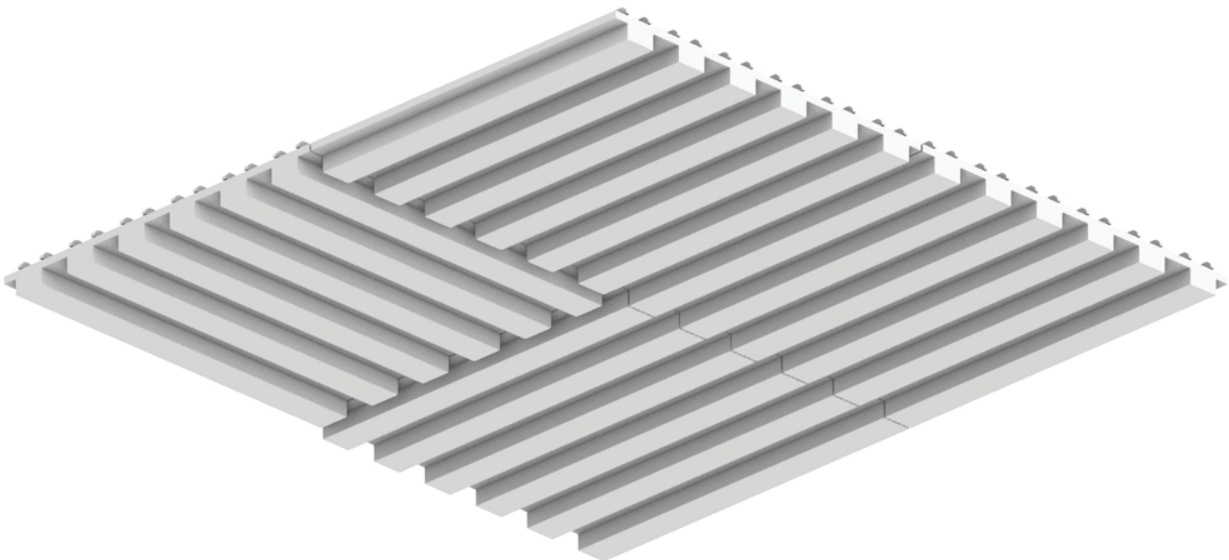
Layout 2



Layout 3

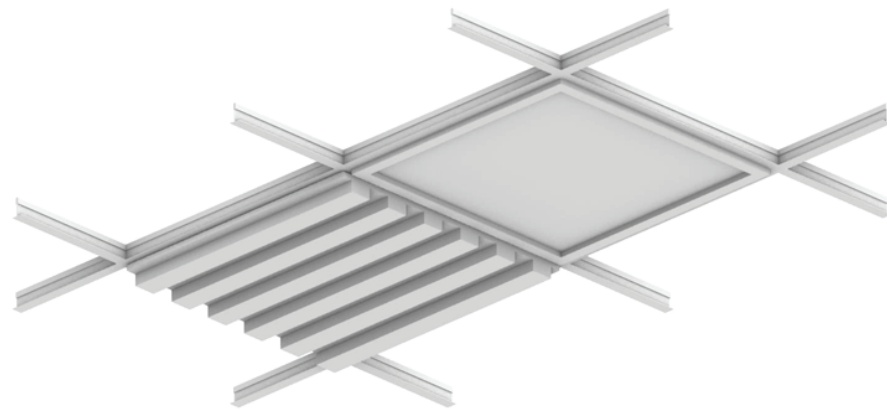


Layout 4

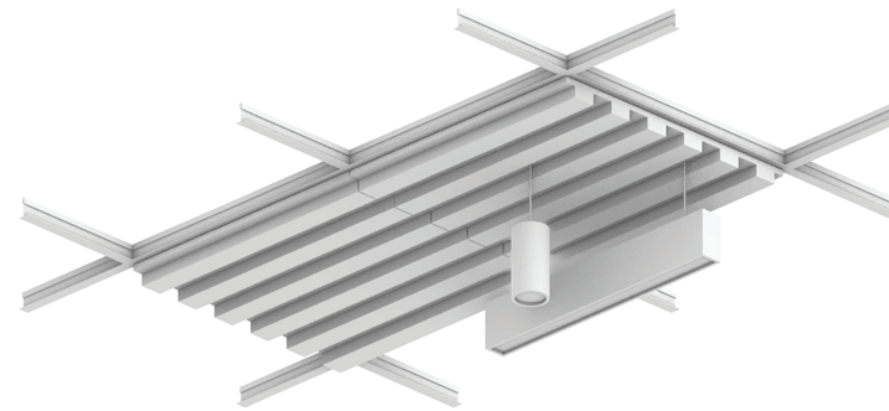


Lighting Coordination

600 x 600mm & 600 x 1200mm Grid Light

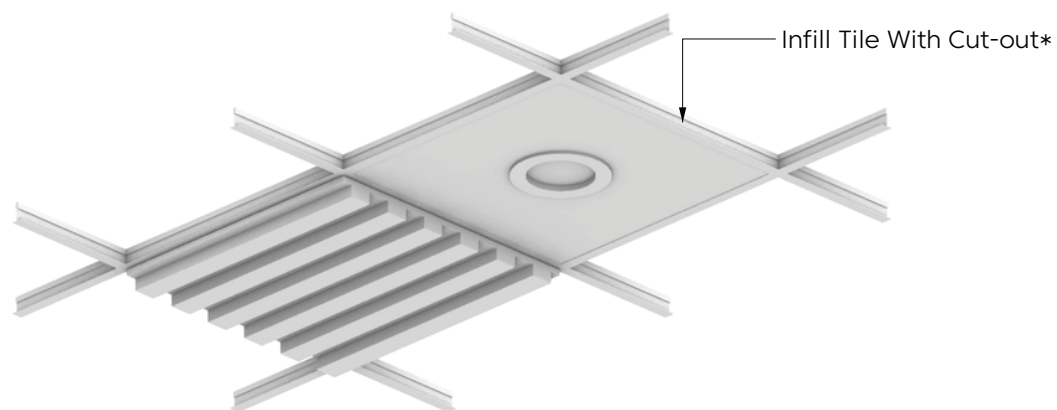


Drop Pendant Light



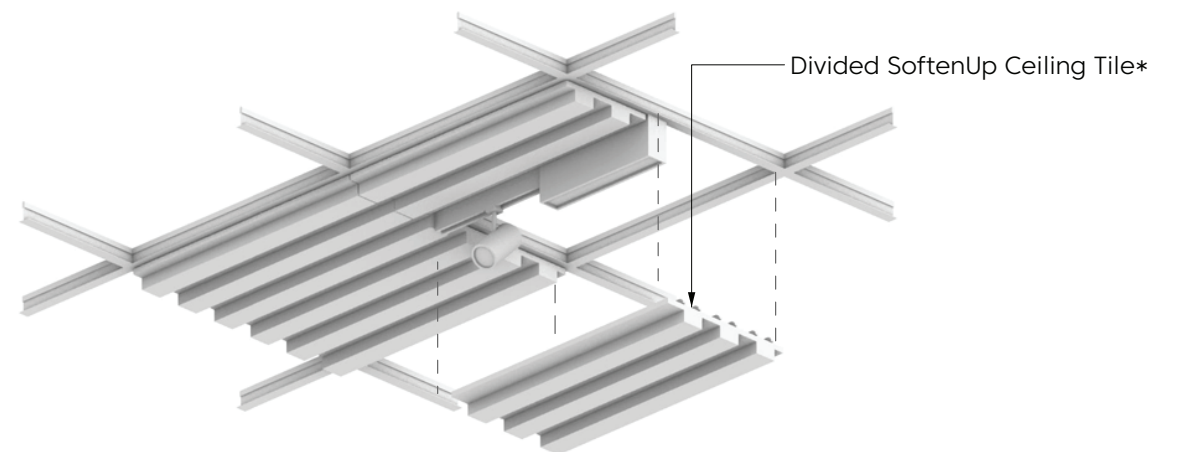
* Cut On-Site (Between Slats)

Recessed Light



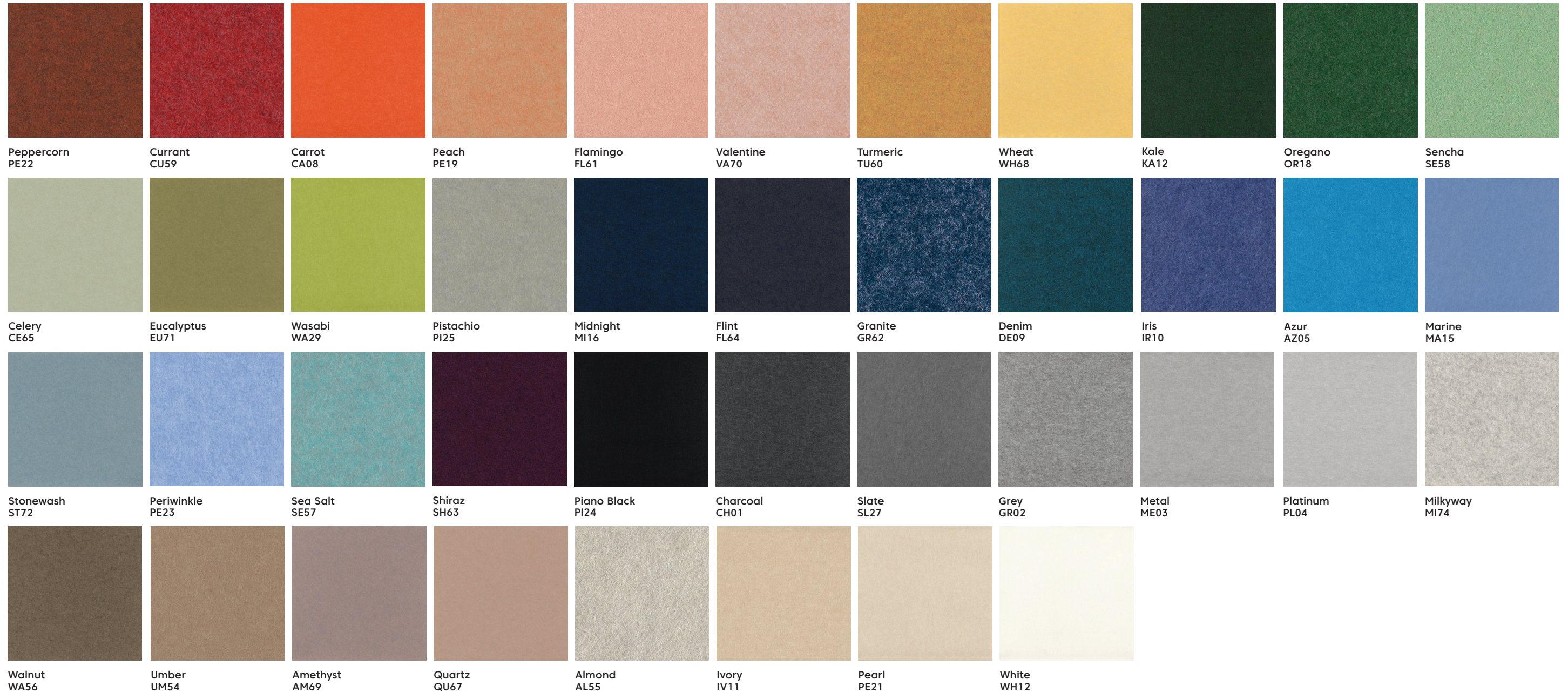
*Cut On-Site

Grid Mounted Light (Track, Pendant)



* Cut On-Site (Between Slats)

FilaSorb™ Colorways



Can't find a color?

We are constantly updating our palette, which includes adding and discontinuing certain color lines. If you can't find the color you are looking for, please contact us with your color request, as we may still have stock available.

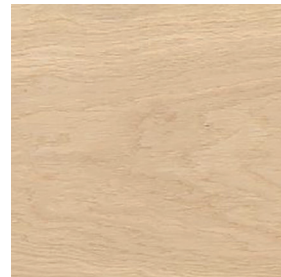
WoodBeQuiet™ Prints



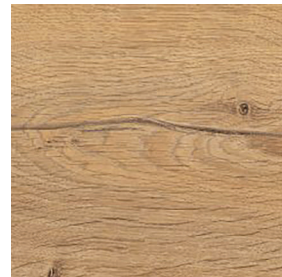
Picket Fence
WQ01



Boat Shed
WQ02



Wine Barrel
WQ03



Log Cabin
WQ04



Barn Door
WQ05



Loft
WQ06



White Elm
WQ07



French Bobbin
WQ08



Charred Larch
WQ09



Boardwalk
WQ10



Antique Chest
WQ11



Baltic Birch
WQ12



White Oak
WQ13



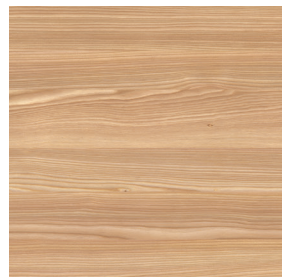
Weathered Slate
WQ14



Nordic Plank
WQ15



Natural Oak
WQ16



European Larch
WQ17



Teak
WQ18



Fumed Oak
WQ19



Black Walnut
WQ20



Driftwood
WQ21



Woodland Fog
WQ22



Petrified Ash
WQ23



Mountain Lodge
WQ24



Mocha Legno
WQ25



Scorched Timber
WQ26



Espresso Oak
WQ27



Shadow Oak
WQ28

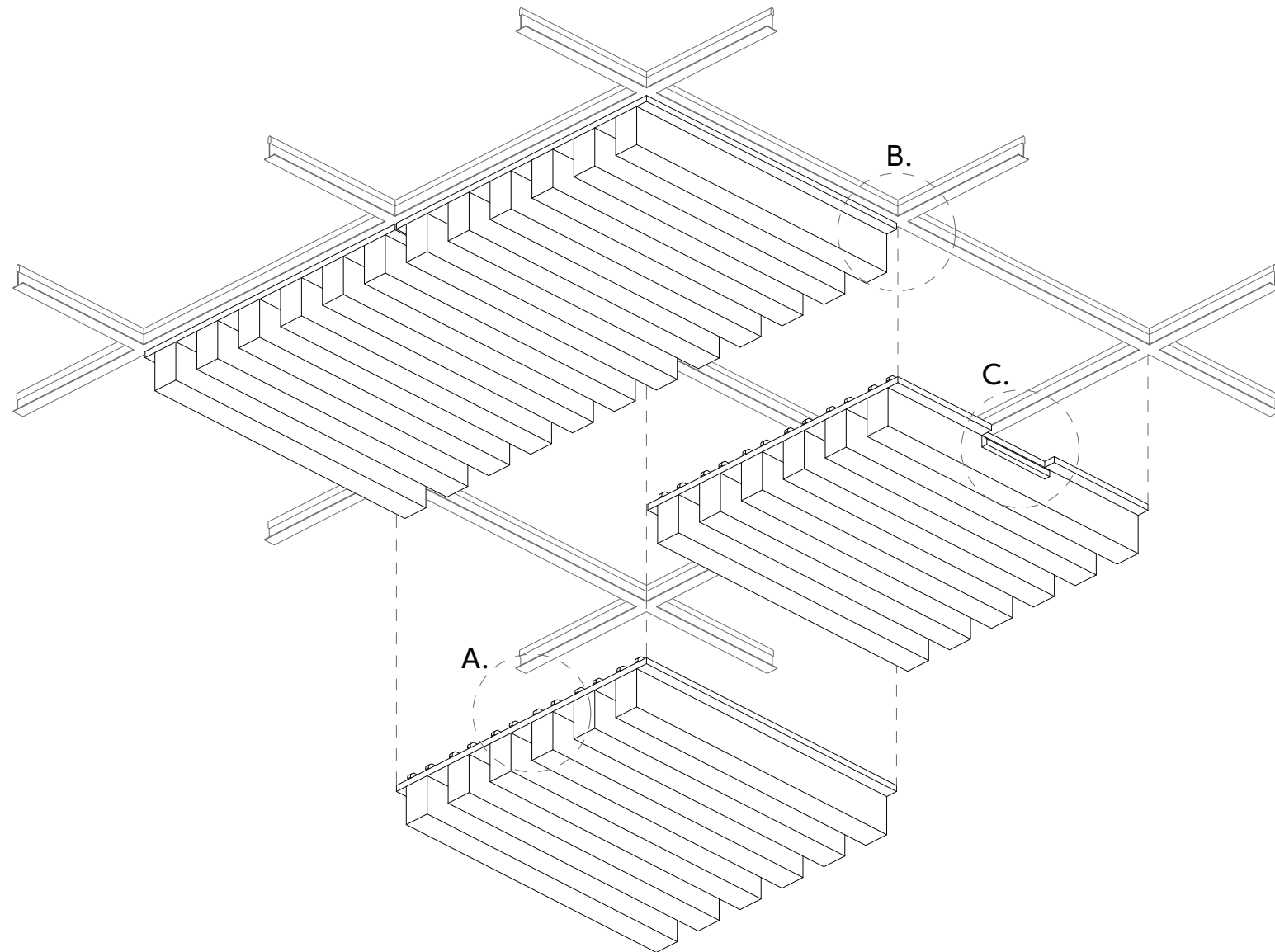


Knotty Spruce
WQ29

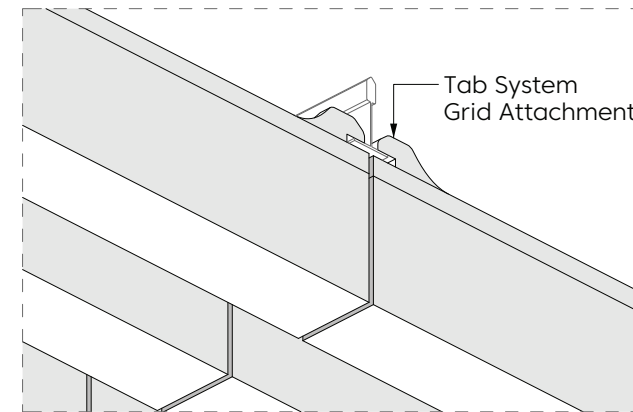


Lyed Larch
WQ30

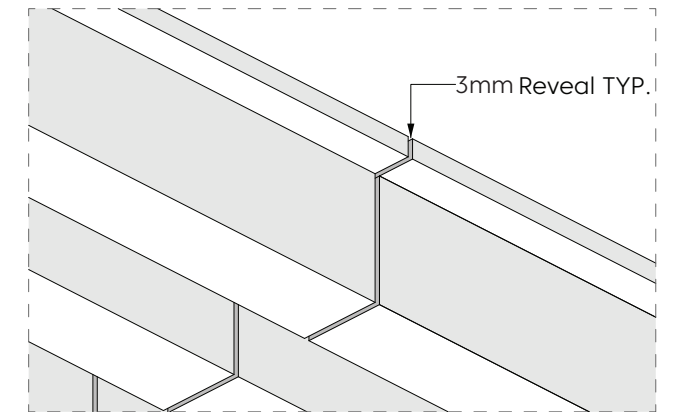
Installation



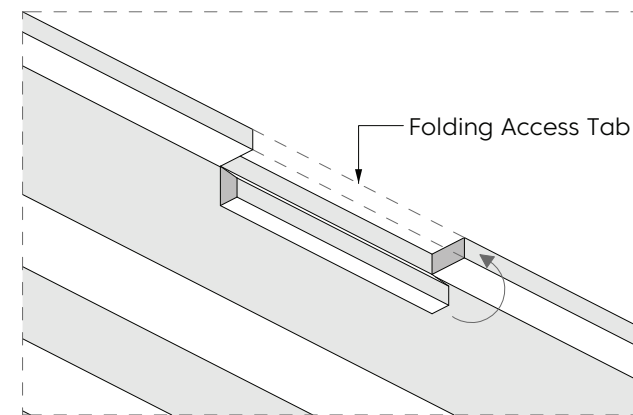
A. Suspension



B. Tolerance & Reveal



C. Ceiling Access



Notes

Suspension

The SoftenUp ceiling system is designed to connect to standard drop ceiling grid systems via a series of tabs integrated into the design. No additional hardware is required for standard installation. Seismic zones may require additional considerations. See note on seismic.

Life Safety

The panels can be trimmed on site, using a sharp utility knife, to accommodate any exit signage and/or wayfinding markings. Cut-outs must occur in 50mm gap between slats. All fixtures must be supported independent of tiles.

*Panels cut on-site may require additional support.

Clearance/Tolerance

When installed, SoftenUp tiles have a consistent 3mm reveal to account for any on-site tolerance concerns. Panels have a method for tile alignment integrated into the design.

*A continuous slat design is available - contact Acoufelt for further details.

MEP/FP

The panels can be trimmed on site, using a sharp utility knife, to accommodate any MEP/FP fixtures including but not limited to drop-in lighting and diffusers, recessed lighting, linear diffusers, concealed and exposed fire sprinklers, and A/V equipment. Please consult all local and municipal codes, as well as a licensed engineer, for full compliance requirements. Cut-outs must occur in 50mm gap between slats. All fixtures must be supported independent of tiles.

*Panels cut on-site may require additional support.

Ceiling Access

Panels with an integrated folding access tab are available upon request. These folding tabs allow for the removal of individual tiles to access ceiling systems.

Seismic

SoftenUp tiles can provide seismic compliance through a mechanical direct screw attachment through the panel to the grid system or an individual tile off to building structure. Please consult all local and municipal codes, as well as a licensed engineer, for full compliance requirements.